



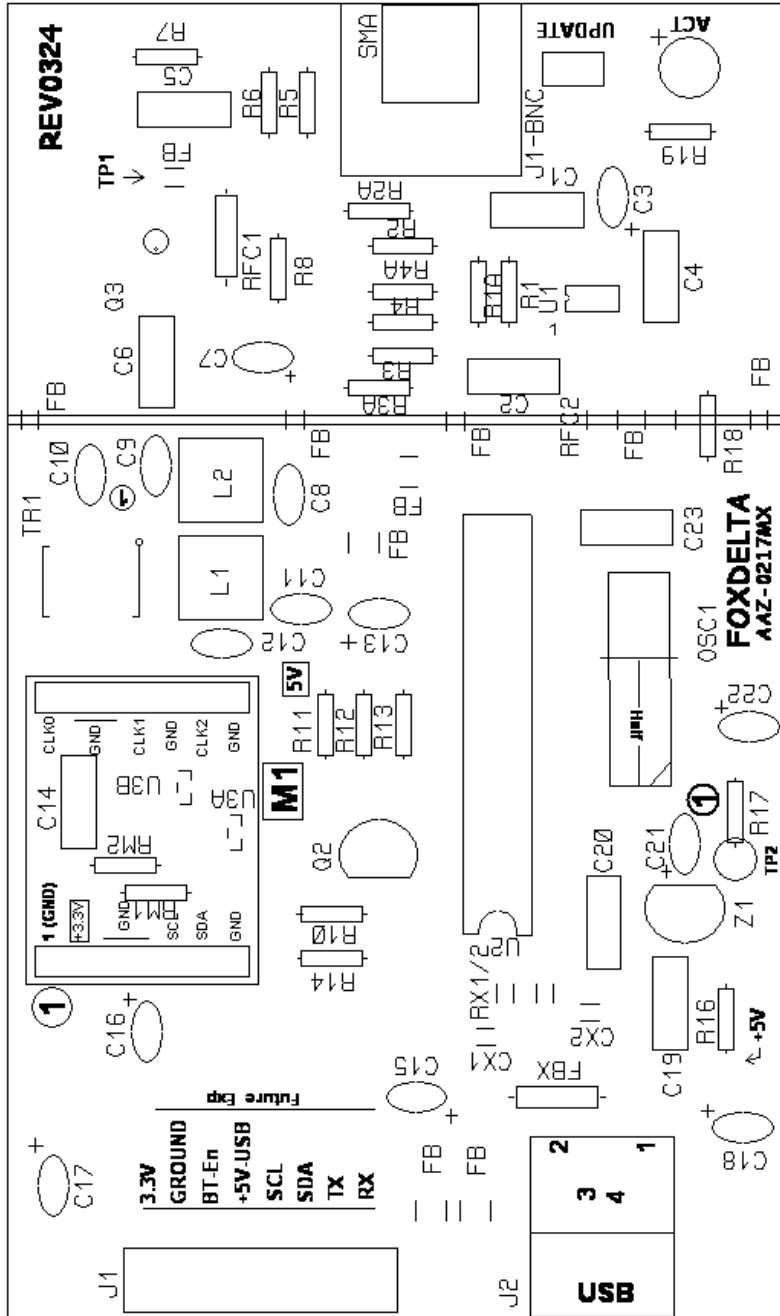
# Fox Delta

Amateur Radio Projects & Kits

FD- AAZ-0217MX

Schematic & Parts list: 1- 60MHZ HF PIC18F2550 USB Antenna Analyzer

AAZ-0217MX SILK: PCB Rev 0324: TOP SIDE



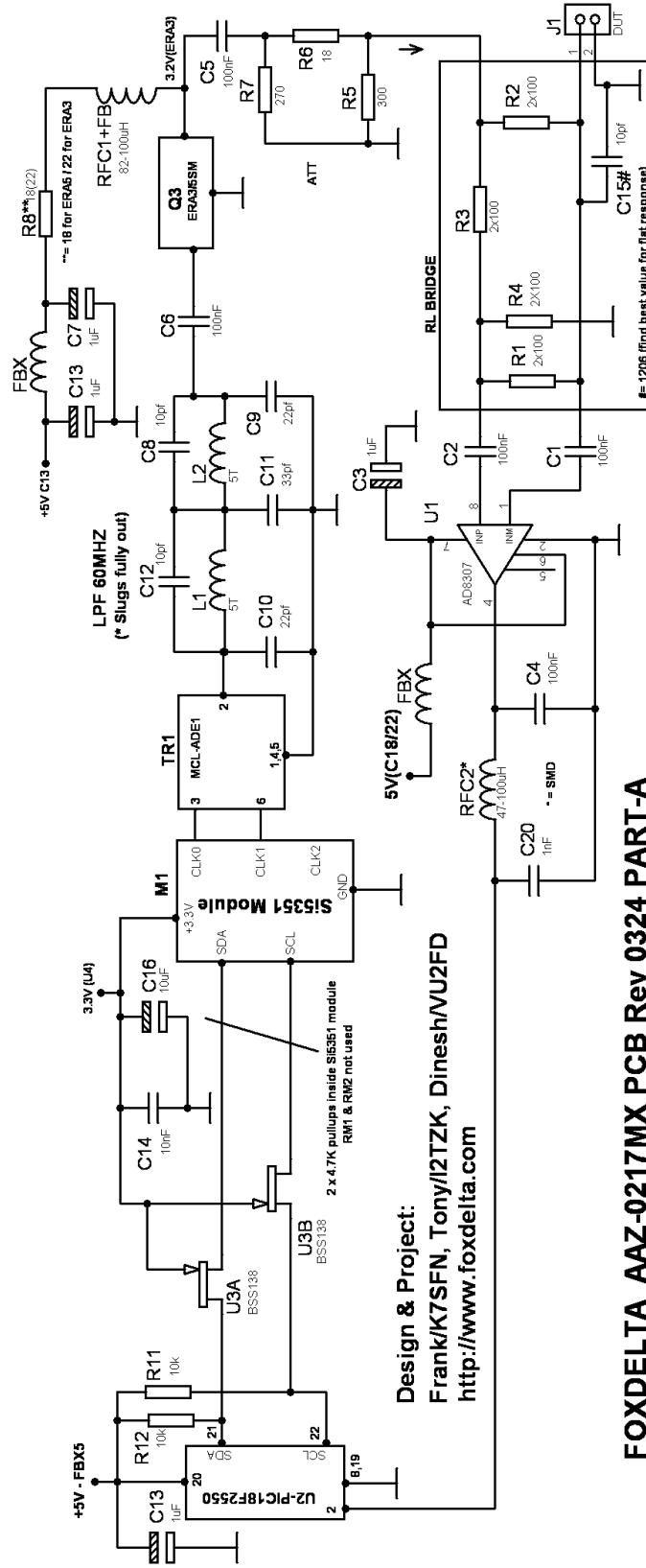
**AAZ-0217MX PCB REV 0324 KIT Parts List:**

Quantity	Part ID	Part Details
1	U2	PIC18F2550 <b>FW V1.05</b>
1	M1#	Si5351: Assembled and Tested
1	U1#	AD8307 SO8
1	TR1#	ADE1 SO6
2	U3A / U3B#	BSS138 SMT
1	OSC	20MHZ OSC FULL or HALF
1	LED	3mm
1	Q3#	ERA3SM / ERA5SM
1	Q2	2N7000
1	IC Socket	28PIN DIP
1	PCB	FD-AAZ-0217MX DSPTH PCB <b>Rev0324</b>
1	Z1	LM385-2.5V
1	U4#	AMS1117 – 3.3V
2	L1, 2	Air Inductors
1	FBX	RFCs (10-47uH)
9	FB#	1206 Ferrite beads
1	RFC1	82 -100uH RFC
1	RFC2#	1206 RFC 22 – 47uH
1	BNC / SMA	BNC or SMA R/A PCB
1	J2	USB Socket, R/A, PCB Type
1	J1	SIL 8 R/A PCB (Exp Socket)
1	2PIN Header	FW Update Header
All Resistors ¼ W 5%		
1	R5	300 Ohms
1	R6	18 Ohms
1	R7	270 Ohms
8	R1/A, R2/A, R3/A, R4/A,	100 Ohms
1	R8	18 Ohms ERA5 / 22 Ohms ERA3
1	R10	100K
5	R11, 12, 13, 16, 18	10K
1	R17	3.3K
2	R14, 19	1K
0	R9, R15, RM1, RM2	NOT USED IN THIS DESIGN
2	RX1, RX2#	1206 10 ohms
Capacitors		
1	C23	0.47uF Poly
2	C19, 20	.001uf Poly
6	C4, 6, 5, 2, 1, 14	0.1uf Poly
8	C3, 7, 13, 15, 17, 18, 21, 22	1uf Tantalum
1	C16	10-22uF Tantalum
2	C10, 9	22pf Ceramic
1	C11	33pf Ceramic
2	C8, 12,	10pf Ceramic,
2	CX1, CX2, CX3#	10 pf 1206

**Note:**

- 1: Q1, R9, R15 are not in this design
2. # Parts are Pre-soldered on board for Kits
3. R8 is Q3 specific component: ERA3SM=22ohms, ERA5SM=18ohms

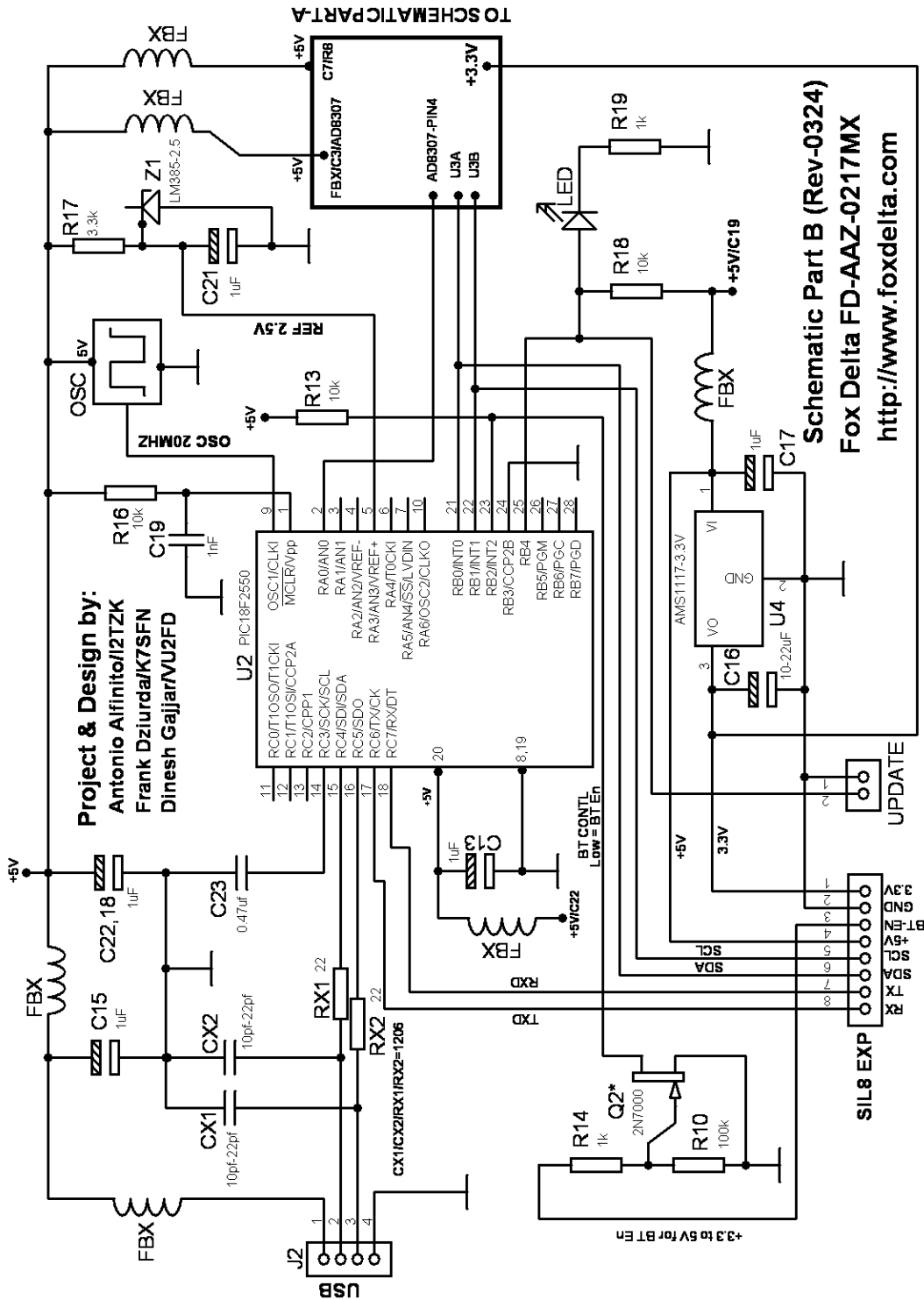
AAZ 0217MX Rev 0324 Schematic A:



Design & Project:  
 Frank/K7SFN, Tony/I2TZK, Dinesh/VU2FD  
<http://www.foxdelta.com>

FOXDELTA AAZ-0217MX PCB Rev 0324 PART-A

AAZ-0217MX Rev 0324 Schematic-B:



73s / Dinesh Gajjar 10<sup>th</sup> Sept 2024

For more details, please visit Project Page: <http://www.foxdelta.com>