



Fox Delta

Amateur Radio Projects & Kits

FoxDigi

Schematic & Parts List of FoxDigi: A 1200 Baud APRS / Packet Digipeater

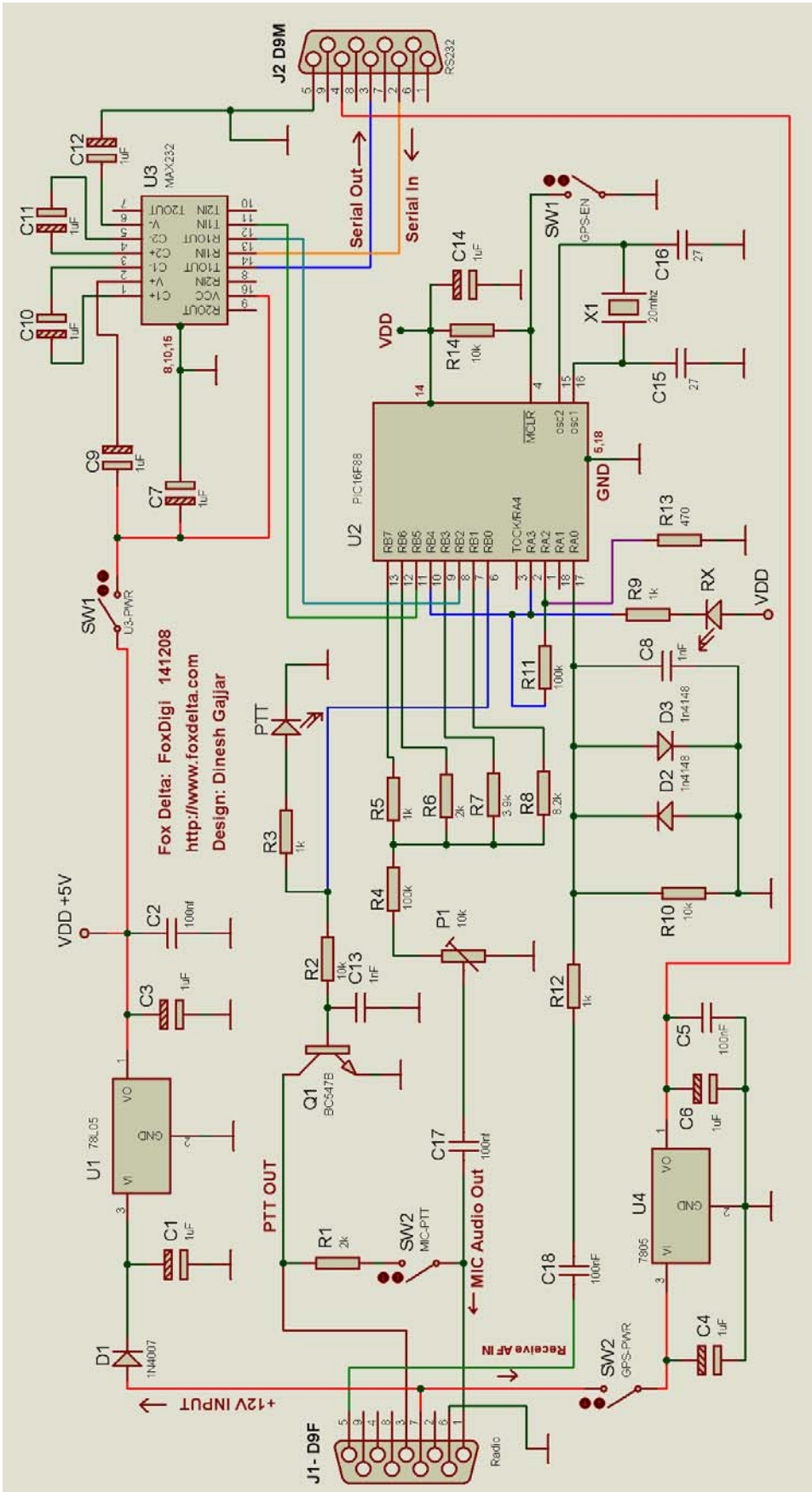
Rev:141208

FoxDigi Kit Parts List:

Qty	ID	Details
1	U2	PIC16F88, Pre-Programmed With Firmware 4800/9600
1	U3	MAX232 or Equiv. RS232 Driver
1	PCB	FoxDigi 141208 Double Sided PTH Board
1	U1	78L05
1	U4	7805
1	Q1	BC547B, PTT Switch
2	SW1, 2	2 Position DIP Switches
1	J1	D9 Female Right Angle Connector PCB
1	J2	D9 Male Right Angle Connector PCB
2	LED	3mm: RX, TX
1	X1	Crystal 20MHZ HC49US
1	P1	Preset Bourns 10K
1	D1	1N4007
2	D2, 3	1N4148
1	DIP18	IC Socket for U2
1	DIP16	IC Socket for U3
1	D9F	D9 Male Connector for Transceiver Connection
Qty	ID	Details
10	C1, 3, 4, 6, 14, 7, 9, 10, 11, 12	1uf 35V Tantalum
4	C2, 17, 18, 5,	100nf Poly
2	C8, 13	1nf Poly
2	C15, 16	22 or 27pf Ceramic
18		
2	R6, 1	2K
4	R3, 5, 9, 12	1K
2	R4, 11	100K
1	R7	3.9K
1	R8	8.2K
3	R2, 14, 10	10K
1	R13	470
14		

This revision of FoxDigi uses standard D9 connections for Radio & GPS/PC, normally found on TinyTrak, Open Tracker or Foxtrak.

Schematic of the FoxDigi Board:



Dinesh Gajjar / 14th Dec. 2008

Please visit <http://www.foxdelta.com> for more information on this project.