



Fox Delta

Amateur Radio Projects & Kits

FD- PB1.2

Technical Details & Assembly Note: Programming Adaptor Board

Introduction: PB1.2

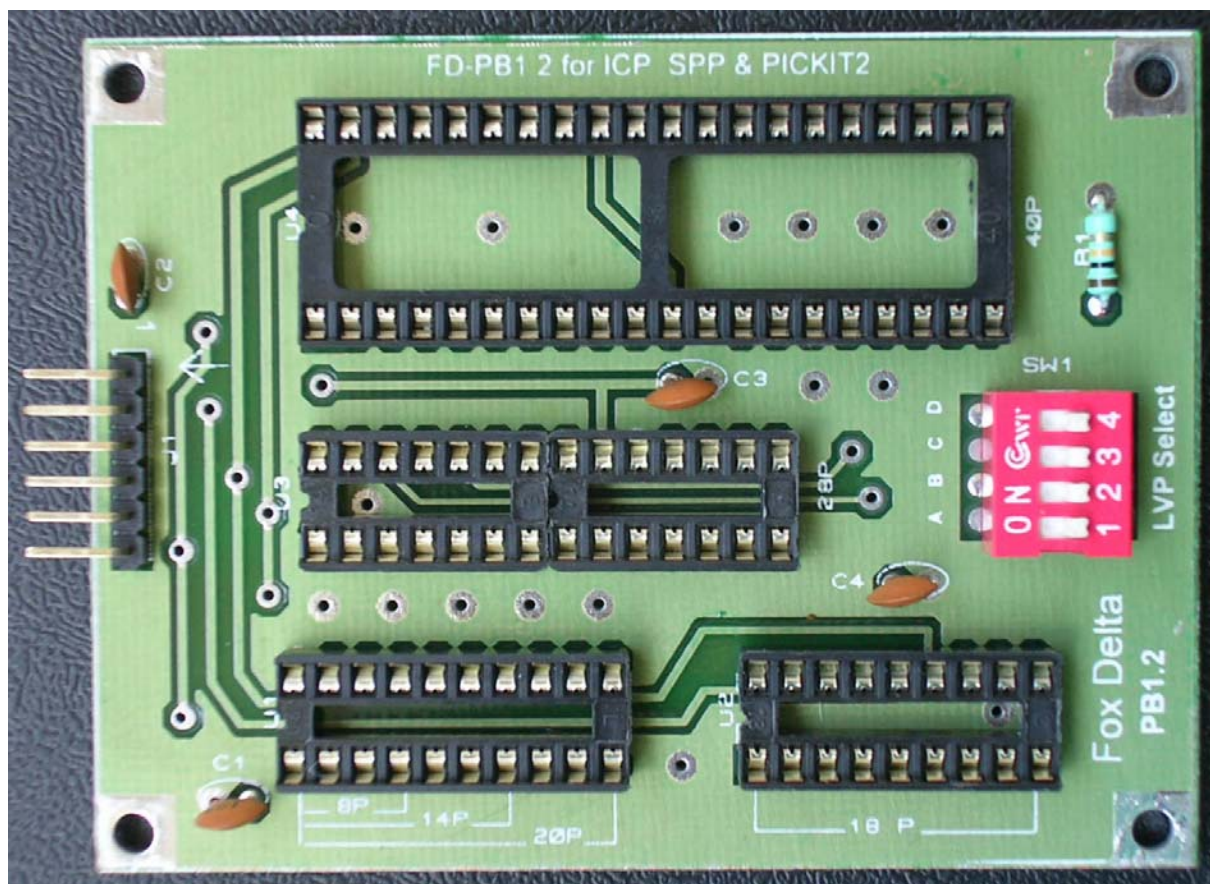
This programming Board is designed to be used with Serial, ICP and USB programmers detailed elsewhere on this site.

In view to keep cost low, this board contains simple DIP sockets of 20Pin, 18Pin, 28Pin & 40Pin.

20Pin socket is used for programming of 8pin, 14pin & 20pin PIC Micro Controllers.

18, 28 and 40pin sockets are specific to such PICs.

Picture of the fully populated Programming Board:



LVP Switches:

LVP pull-down (10K to ground) resistor is available for 18, 28 and 40pin sockets. Please study the pin connection of PIC Micro that you are trying to program to identify which pin requires this switch to be grounded by 10K.

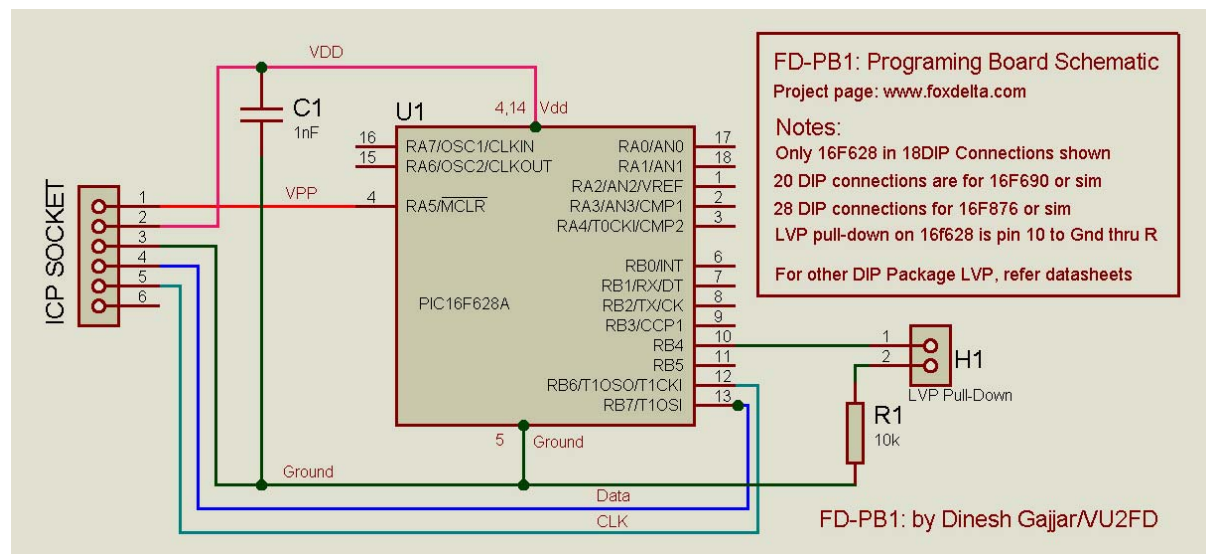
LVP Switch is not useful for most programming software but may be required by some of them.

PB1 Kit Part List:

40,P, 20Pin, 28Pin & 18Pin IC sockets, Capacitors, SW1 (LVP), Resistor & a quality double sided PTH PCB makes the Kit of this Programming Adaptor Board.

Basic Schematic for 18PIN DIP is given below.

Please note that, for 28 & 40Pin ICs, LVP pin may be different for various PICs.



H1 in above schematic is now replaced by SW1, a 4 Position slide switch, to bring a 10K resistor (R1) to ground for LVP programming requirement.

SW1 Positions:

A :18Pin PICs : Pin 10 is LVP

B & C : 28pin PICs : Pins 24 & 26 are LVP (Check processor you will be using)

C & D : 40pin Processors: Pins 36 & 38 are for LVP.

Check manufacturer's datasheet for LVP pins of 28 & 40pin PIC Micros.

Parts List:

U1- 4	40, 20, 18, 28 Pin IC Sockets
C1- 4	0.1uf Ceramic
R1	10K LVP pull-down resistor
SW1	LVP Selector switch
J1	6 Pin Male Header

I hope this kit will be useful to many hobbyists.

Dinesh Gajjar/VU2FD
Revised 12th December 2007

Visit <http://www.foxdelta.com> for updates

