



Fox Delta

Amateur Radio Projects & Kits

FD- ST3

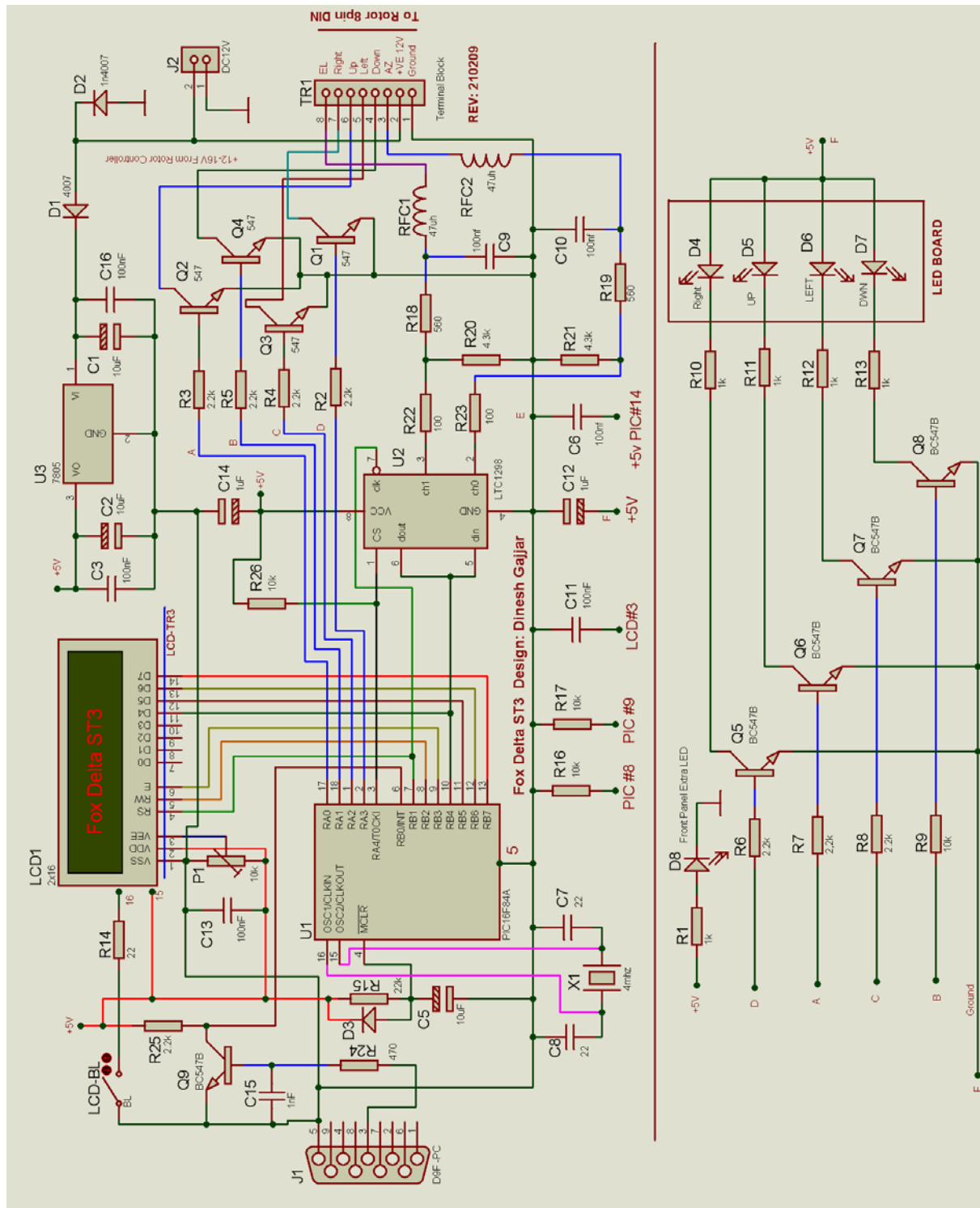
Schematic & Parts List: PIC16F84A LCD Satellite Tracker & Rotor Controller

ST3 Parts List: REV: 210209

Part	Quantity	Details
PIC16F84A	2	Firmware ST3.hex & 450.hex
LTC1298	1	DIP8
PCB	1	ST3 Double Sided PTH
D9F	1	PC Connector R/A
TR3	1	Terminal connector 8 pin (2x4)
DIN8 Plug	1	For Rotor Connection
D9F	1	For Rotor Connection
LCD	1	16x2 with Back light
LCD-BL	1	2 Position header with shorting pin
7805	1	+5V Regulator
BC547B	9	NPN Transistors
Preset	1	10K Bourns P1
4MHZ Xtal	1	Crystal HC18/49U
IC Socket	1	18pin
IC Socket	1	8Pin
LCD Cable	1	16 wire ribbon
LED Cable	1	8 wire ribbon
SIL Connector	2	16 PIN
SIL Connector	2	8 PIN

Part	Quantity	Details
R1, 10, 11, 12, 13,	5	1K
R2, 3, 4, 5, 6, 7, 8, 9	8	2.2k
R15	1	22k
R16, 17, 26	3	10k
R18, 19	2	560 ohms
R20, 21	2	4.3k
R22, 23	2	100 ohms
R14	1	22 ohms
R24	1	470 Ohms
C1, 2, 5	3	10uf Tan
C12, 14	2	1uf Tant
C3, 16, 4, 11, 13, 6,	6	0.1uf Poly
C15, 9, 10	3	0.001uf Poly
C7, 8	2	22pf Cer.
D1, 2	2	1N4007
D4, 5, 6, 7,	4	1N4148

Schematic of ST3 Satellite Antenna Tracking:



Diodes 4-8 may not be essential and are not in schematic but may be used as protection diodes.

73s/Dinesh Gajjar / 12th April 08

For more details, please visit Project Page: <http://www.foxdelta.com>