



Fox Delta

Amateur Radio Projects & Kits

FD- ST3

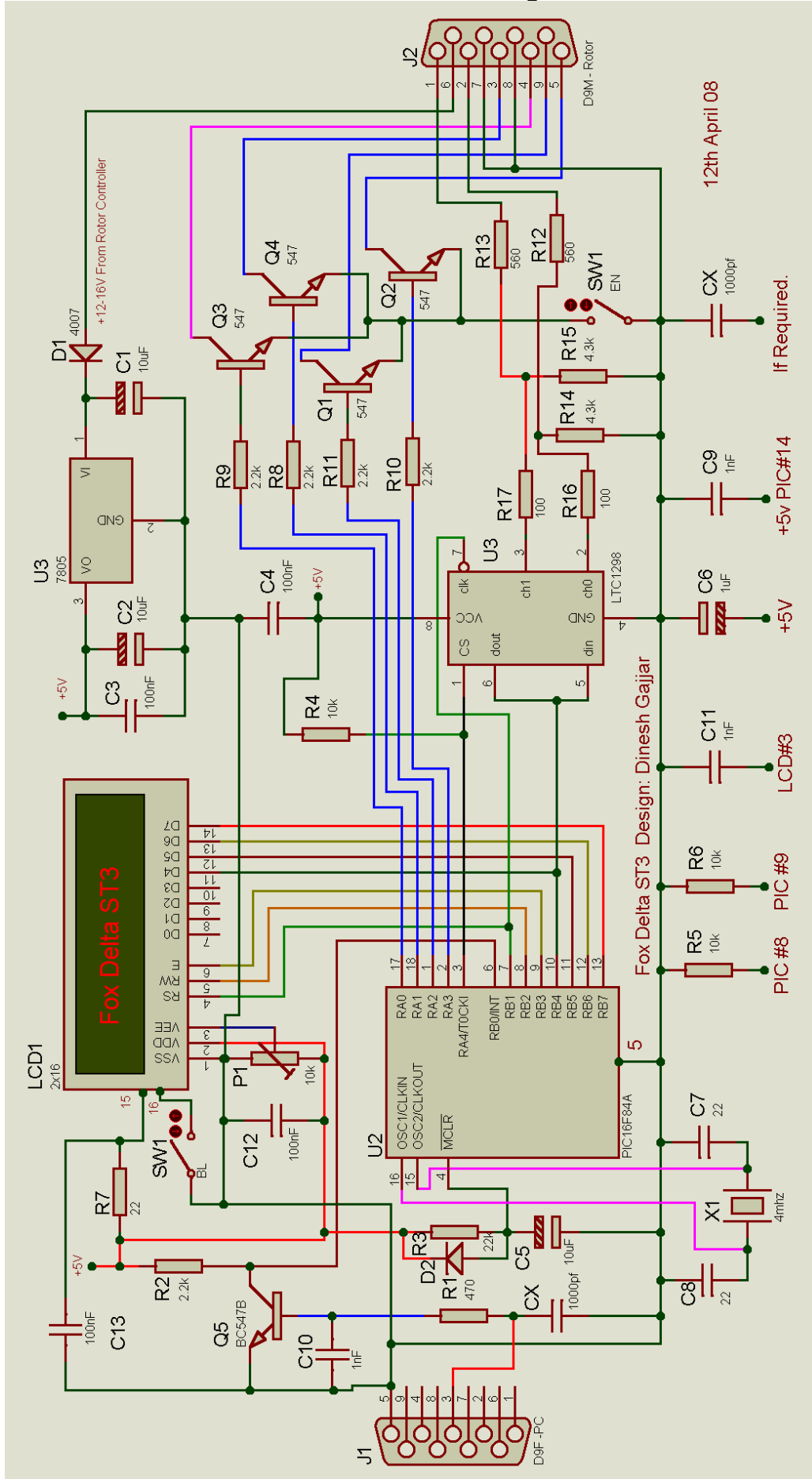
Schematic & Parts List: PIC16F84A LCD Satellite Tracker & Rotor Controller

ST3 Parts List:

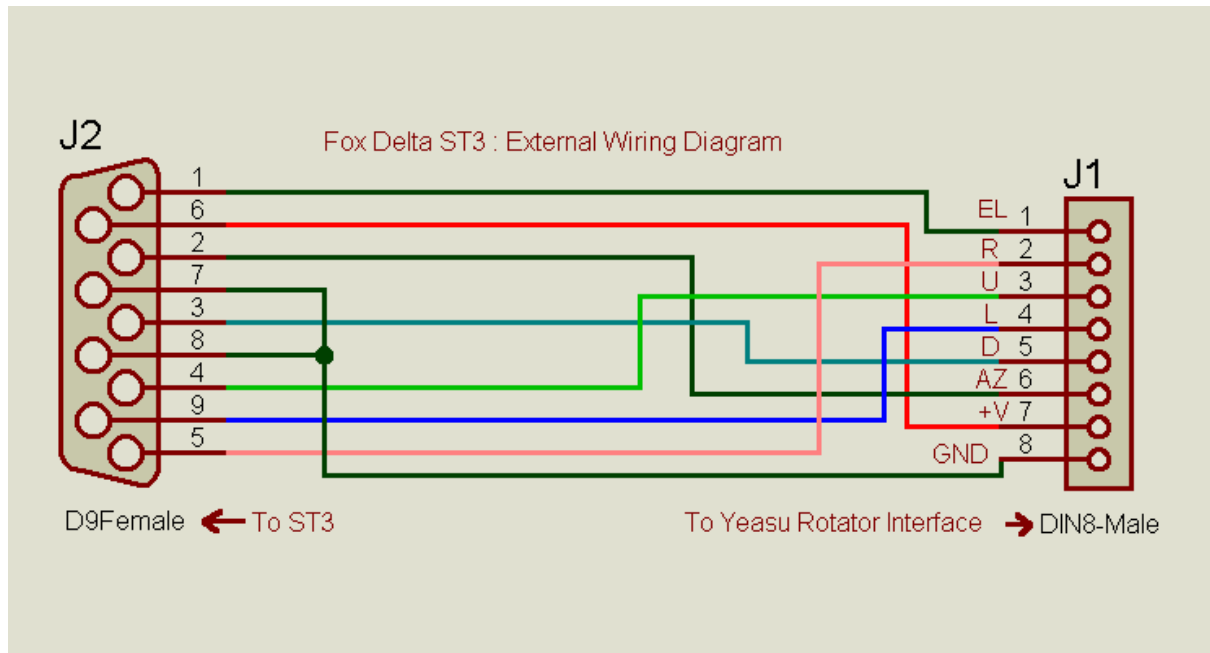
Part	Quantity	Details
PIC16F84A	1	Firmware ST3.hex
LTC1298	1	SOIC Pre-soldered
PCB	1	ST3 Double Sided PTH
D9F	1	PC Connector R/A
D9M	1	Rotor Connector R/A
DIN8 Plug	1	For Rotor Connection
D9F	1	For Rotor Connection
LCD	1	16x2 with Back light
SW1	1	2 Position Slide Switch
7805	1	+5V Regulator
BC547B	5	NPN Transistors
Preset	1	10K Bourns 10Turn Ver.
4MHZ Xtal	1	Crystal HC18/49U
IC Socket	1	18pin

Part	Quantity	Details
R1	1	470 ohms
R2, 8, 9, 10, 11	5	2.2k
R3	1	22k
R4, 5, 6	3	10k
R12, 13	2	560 ohms
R14, 15	2	4.3k
R16, 17	2	100 ohms
R7	1	22 ohms
C1, 2, 5	2	10uf
C3, 4, 9, 11, 12, 13	6	0.1uf Ceramic
C6	1	1uf
C7, 8	2	22pf
C10 & CX	5	1000pf (0.001)
D1	1	1N4007
D2	1	1N4148

Schematic of ST3 Satellite Antenna Tracking:



External wiring scheme between ST3 & Yaesu Rotator Interface:



73s/Dinesh Gajjar / 12th April 08

For more details, please visit Project Page: <http://www.foxdelta.com>