



Fox Delta

Amateur Radio Projects & Kits

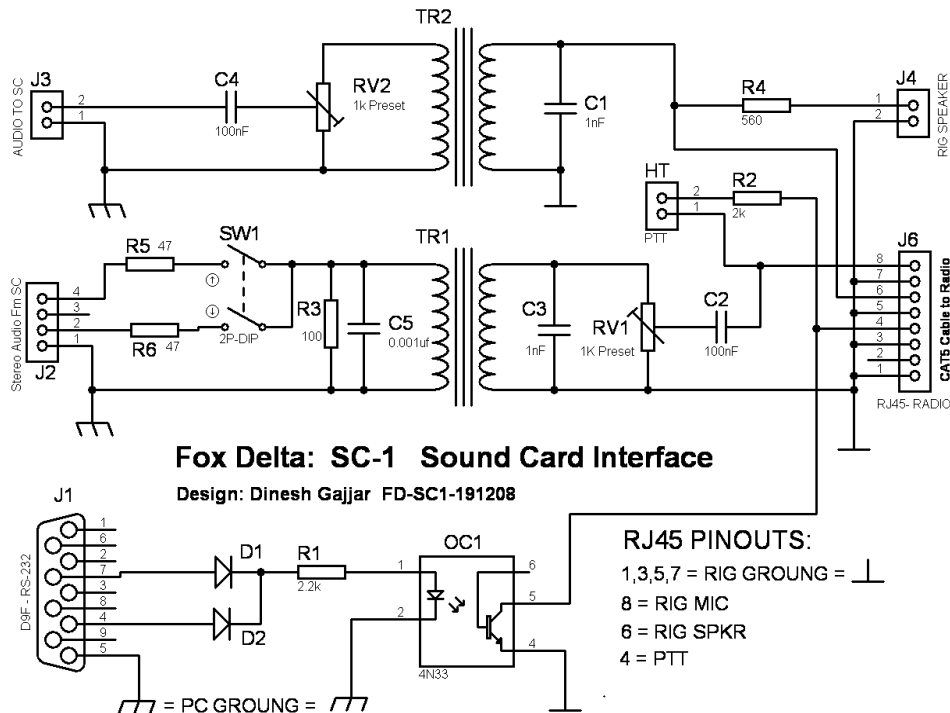
FD-SC1

Schematic & Parts List: Sound Card Interface for Digital Communication

Parts List:

Quantity	Check	Part Details
1		SC1 Double Sided PTH PCB
2		600 ohms Transformers (TR1, 2)
3		3.5mm Stereo jacks (J2, 3, 4)
1		RJ45 Socket (J5)
1		D9F Connector (J1)
1		2 Position DIP Switch (SW1)
1		4N33 Opto Isolator (OC1)
2		1K Preset (RV1, RV2)
1		2 Pin Header with Shorting pin (HT)
3		0.001uf Poly (C1, 3, 5)
2		0.1uf Poly (C2, C4)
2		47 ohms 1/4w Resistors (R5, 6)
1		560 ohms (R4)
1		100 ohms (R3)
1		2K (R2)
1		2.2K (R1)
2		1N4148 diodes
1		CAT5, 8 core cable with crimped male: 30cm long

Schematic of SC1:



Visit <http://www.Foxdelta.com> for more information.