

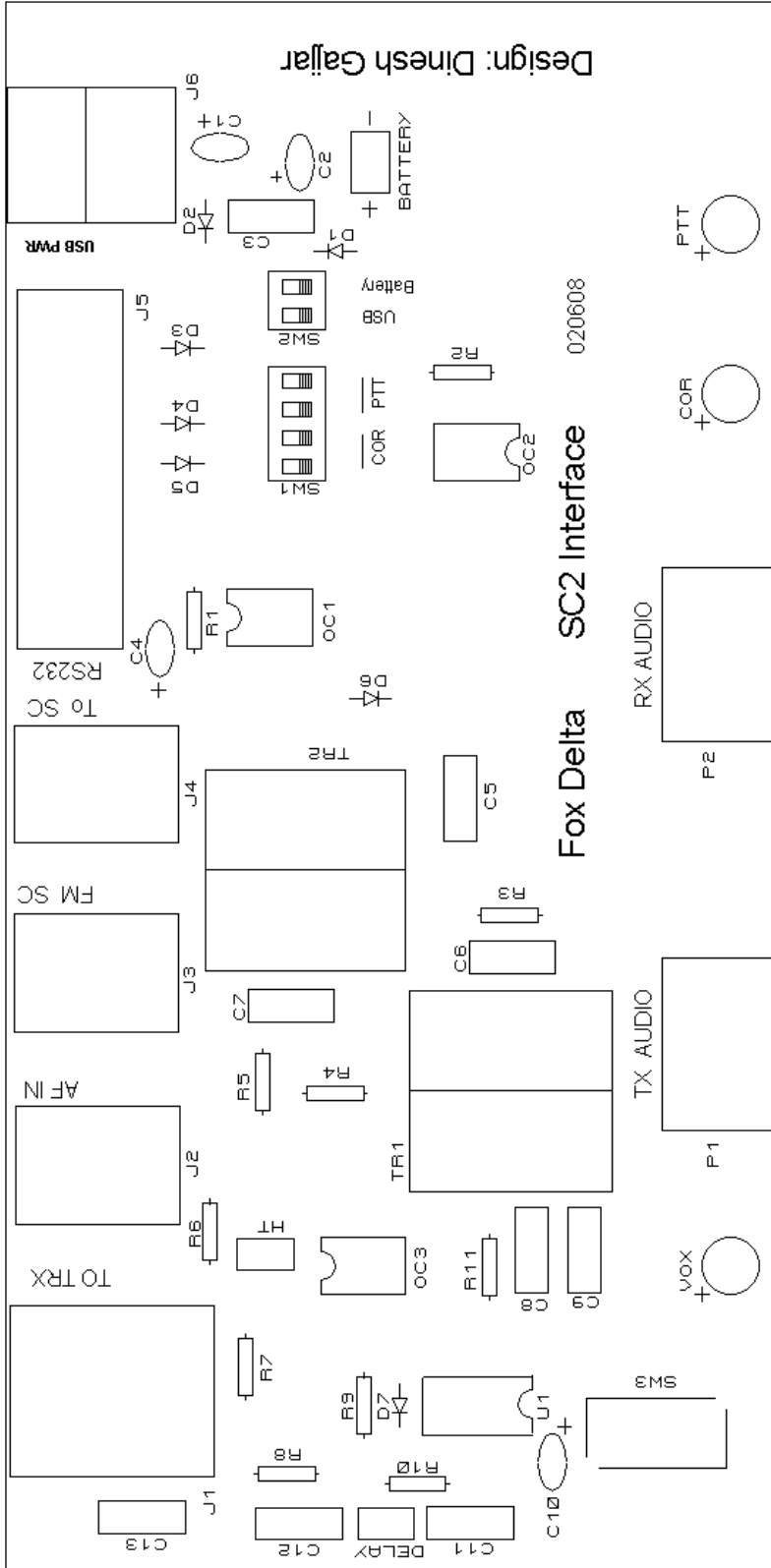


## Parts List & Silk Snap: Sound Card Interface for Digital Communication

### SC2 Kit Parts List: Rev 020608

Part	Check	Details
1		SC2 Double Sided PTH PCB
2		600 ohms Isolation transformers TR1 & TR2
2		1K Panel Mount POTs: P1 & P2
7		1N4148: D1 to D6
1		BAT85: D7
3		Stereo Sockets J2/3/4
1		D9F R/A J5
1		RJ45 R/A J1
1		USB R/A J6
3		3mm LED
1		LM358 DIP8 U1
3		4N33 DIP6
1		Push Switch: SW3 With Knob
1		DIP Switch 4 Position: SW1
1		DIP Switch 2 Position: SW2
1		2pin Header with Shorting Pin (HT)
1		RJ45 Plug with 8 Core Wire Crimped
3		6PIN IC Sockets – 4N33
1		8PIN IC Socket – U1
<b>Resistors &amp; Capacitors</b>		
1		10K (R1)
2		1K (R3, 4)
1		47 ohms (R5)
3		2.2K (R2, 6, 7)
1		1.5K (R9)
1		1M (R10)
2		2.2M (R8, 11)
4		1uf Tantalum 35V (C1, 2, 4, 10)
3		0.001uf Poly (C6, 7, 11)
6		0.1uf Poly (C3, 5, 8, 9, 12, 13)

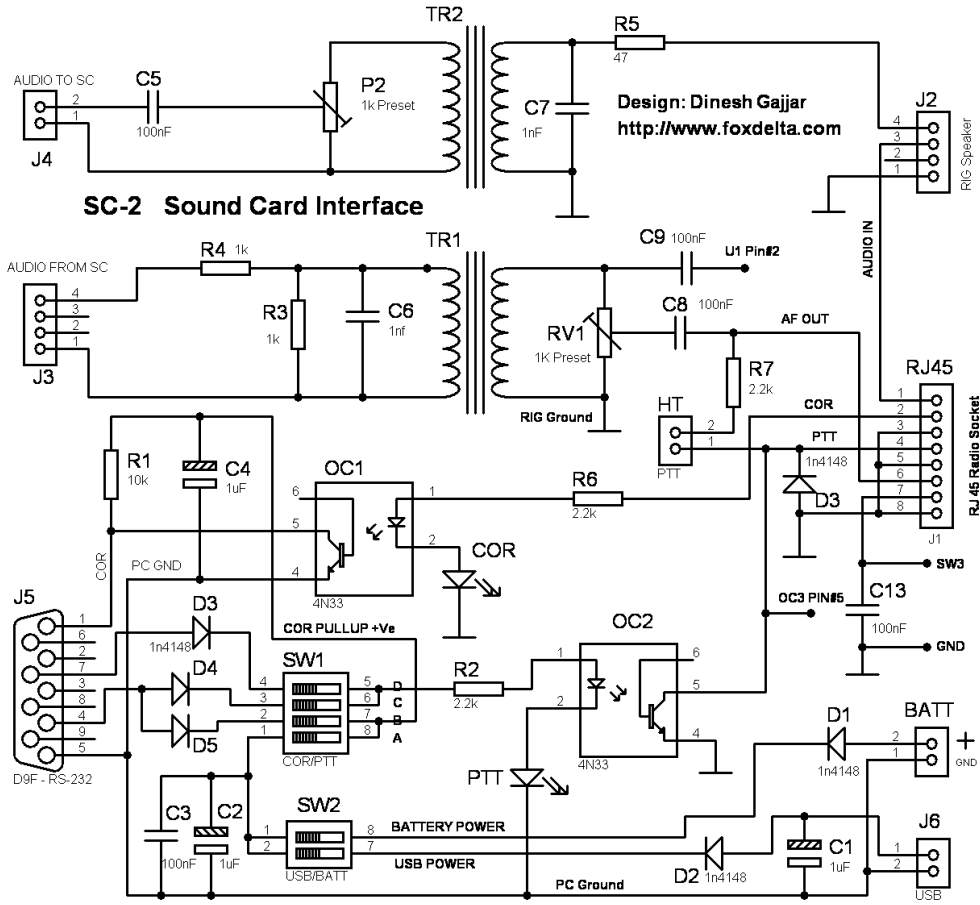
**Silk Snap of SC2 Interface:**



Design: Dinesh Gajjar

Fox Delta SC2 Interface 020608

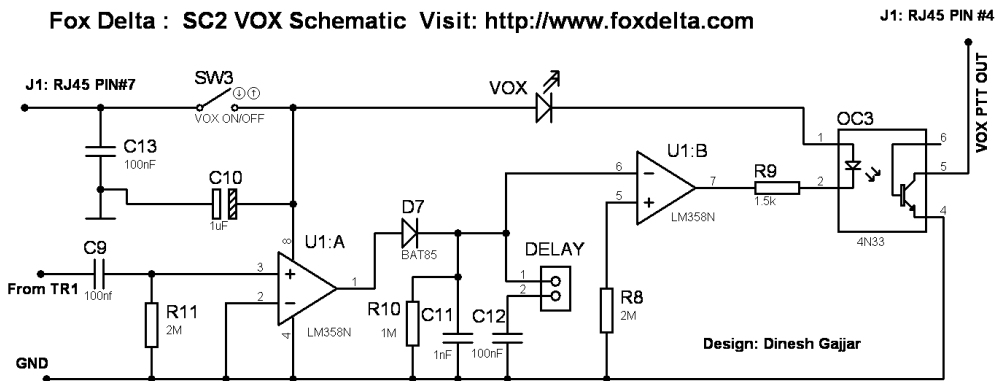
**SC2 Schematic:**



Parts for VOX circuit not on this schematic: U1, D7, R8-11, C9-13, VOX LED and OC3

Correction: C9 goes to U1 PIN#3 not #2

**VOX Circuit:**



Dinesh Gajjar / 3<sup>rd</sup> Nov 12

Please visit <http://www.foxdelta.com> for more information.