



# Fox Delta

Amateur Radio Projects & Kits

FD- ST2

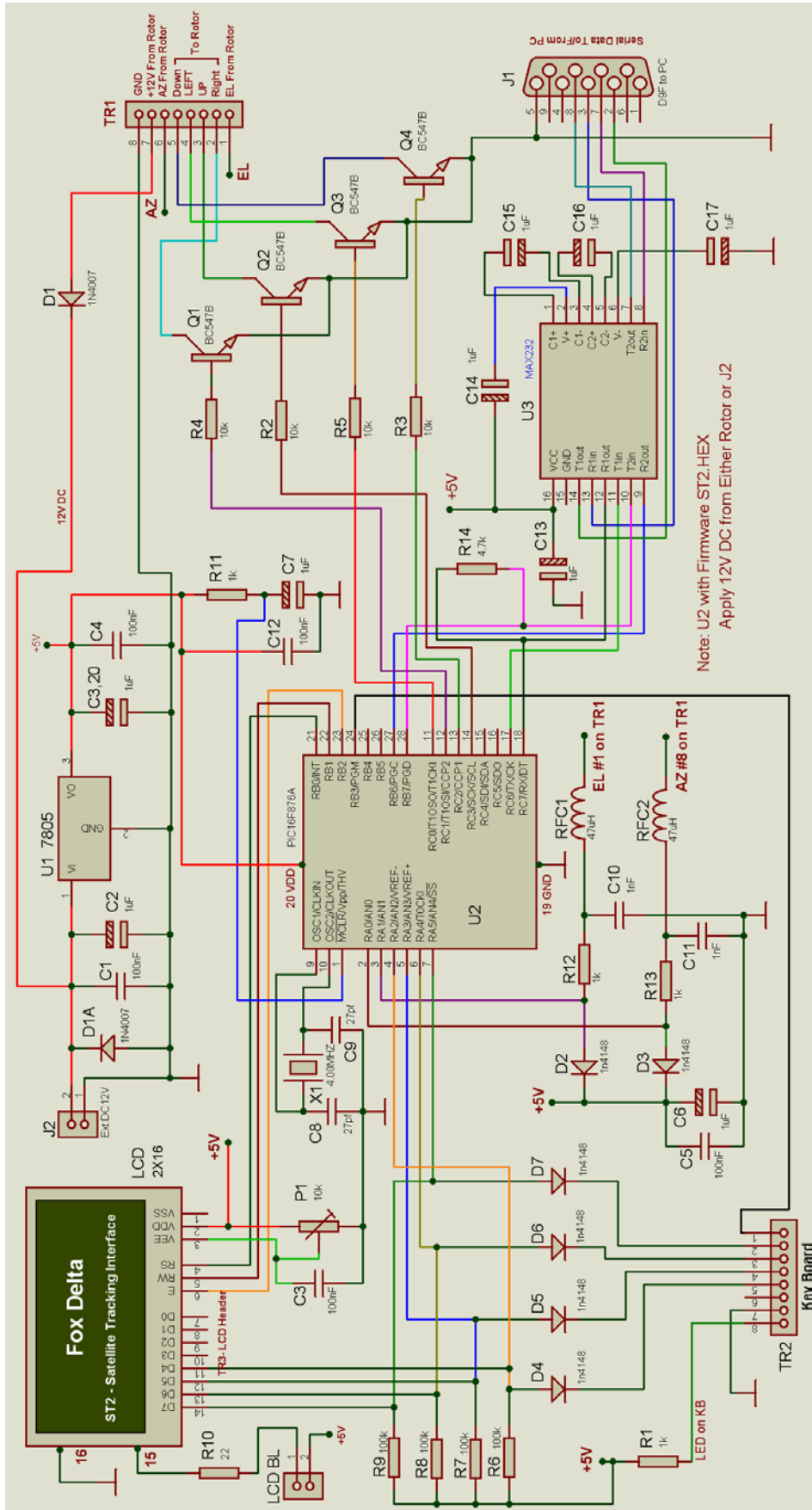
## Schematic & Parts List: PIC16F876A LCD Satellite Tracker & Rotor Controller

### ST2 Kit Parts List:

Part	Quantity	Details
U2: PIC16F876A	1	Processor Pre-Soldered.
Q1- 4: BC547B	4	NPN Transistors
16x2 LCD	1	LCD Display
X1: Crystal	1	4MHZ HC49U
ST2 PCB	1	Double Sided PTH PCB
U3: MAX232	1	RS232 Driver
TR3: SIL16 Male	2	LCD & PCB connector
SIL 16 Ribbon	1	Ribbon for interconnect
TR2: SIL8 Male	2	PCB mounted for KB
SIL 8 Ribbon	1	Key Board connection
U1: 7805	1	5V Positive Regulator
DIP 16	1	IC Socket for MAX232
47uh RFC	2	RFC1, 2
J2: DC Socket	1	+12V External
TR1: Terminal 8	1	8 Terminal block (2x4)
P1: 10K Preset	1	LCD Contrast
J1: D9F	1	PCB R/A D9 Female Connector
2 PIN Header	1	LCD BL
Push Buttons	4	12MM
KB PCB	1	Keyboard PCB

Part	Quantity	Details
1uf Tantalum	10	C2, 3, 6, 7, 13, 14, 15, 16, 17, 20
0.1uf Ploy	6	C1, 4, 5, 12, 18, 19
0.001uf Poly	2	C10, 11
27pf Ceramic	2	C8, 9,
1N4007	2	D1 , D1A
1N4148	6	D2, 3, 4, 5, 6, 7,
1K	4	R1 (LED), R11, 12, 13
100K	4	R6, 7, 8, 9
10K	4	R2, 3, 4, 5
4.7K	1	R14
22 Ohms	1	R10 (LCD BL)

# Schematic of the ST2:



73s/Dinesh Gajjar / 22<sup>nd</sup> Nov 08

For more details, please visit Project Page: <http://www.foxdelta.com>