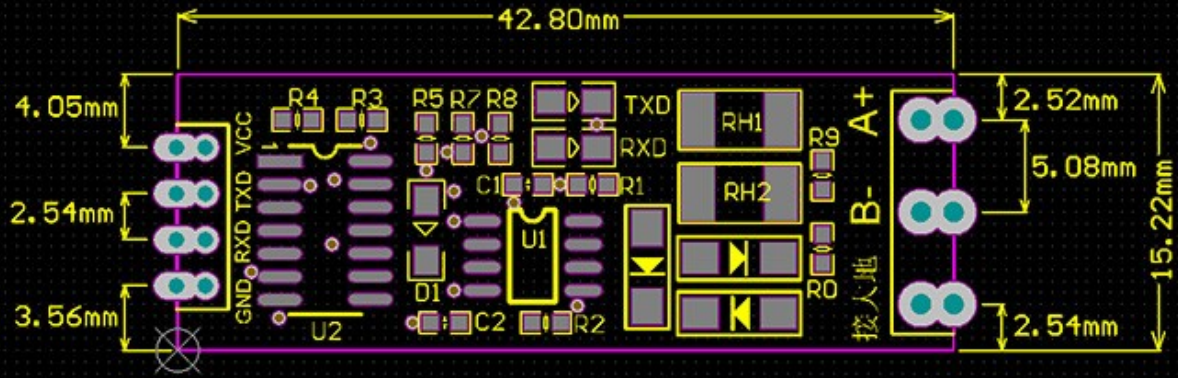
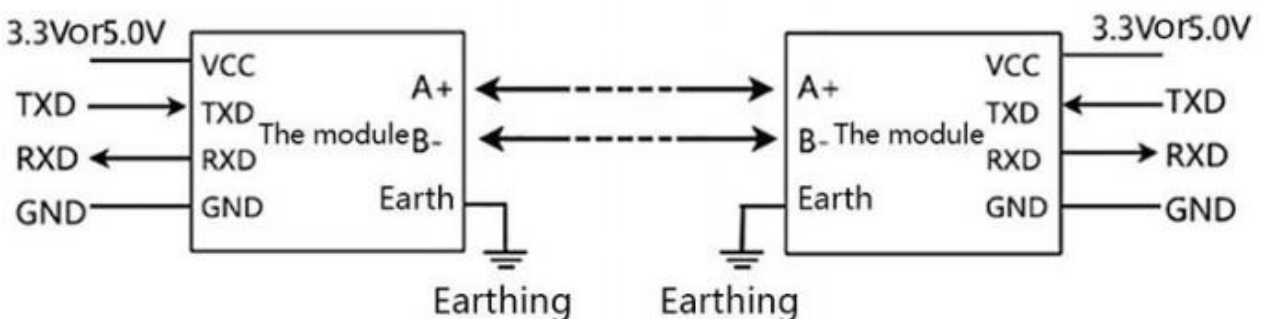
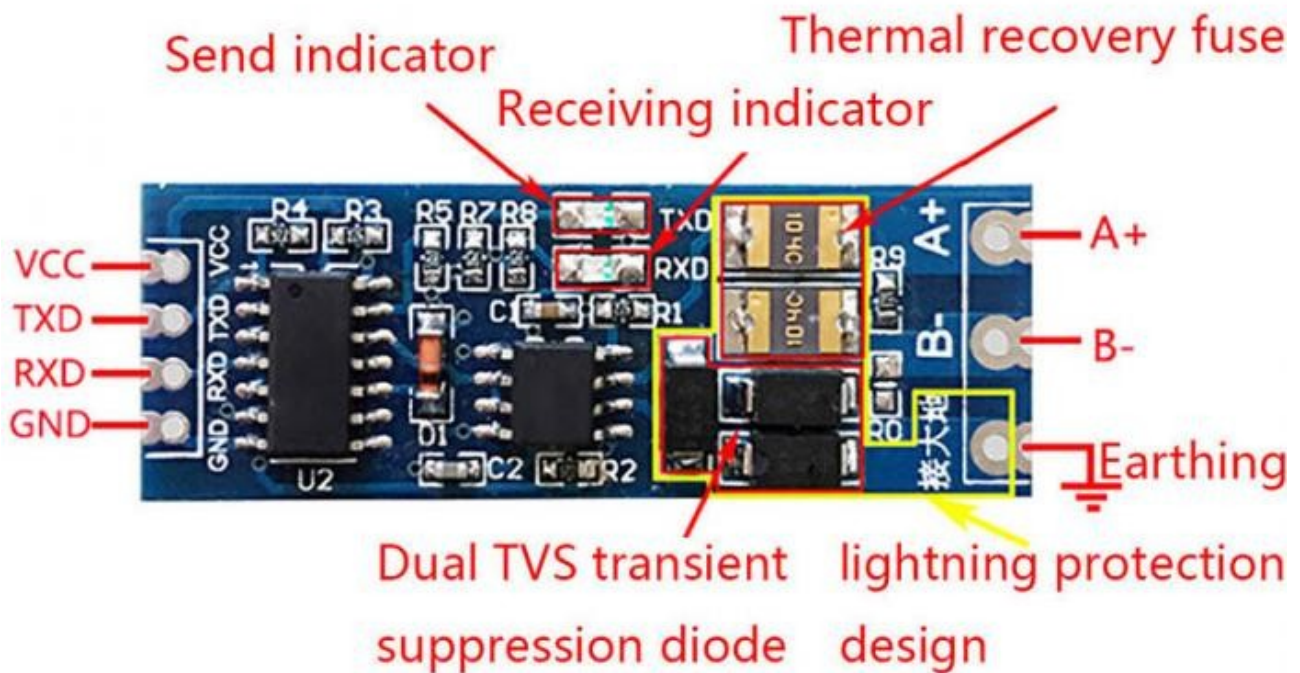


# 尺寸图

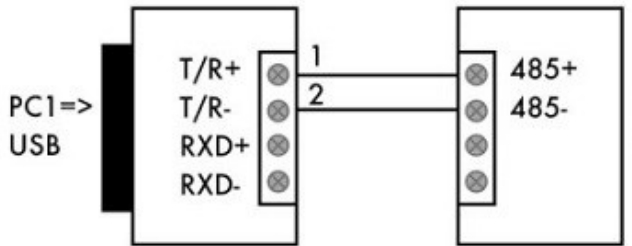


# 半孔工艺设计



# USB-to-RS485 converter

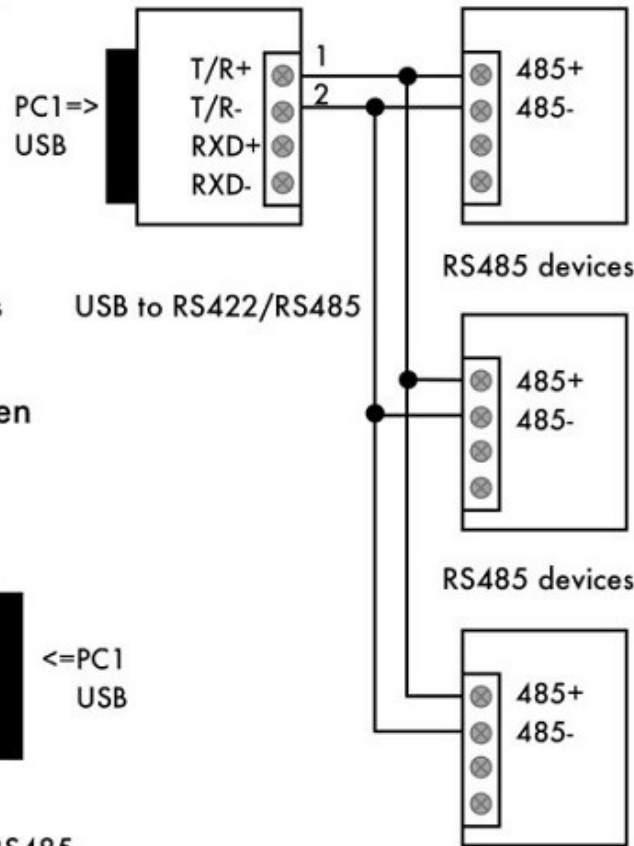
1. RS485 point to point/two-wire



USB to RS422/RS485

RS485 devices

2. RS485 multipoint/two wire half-duplex communication



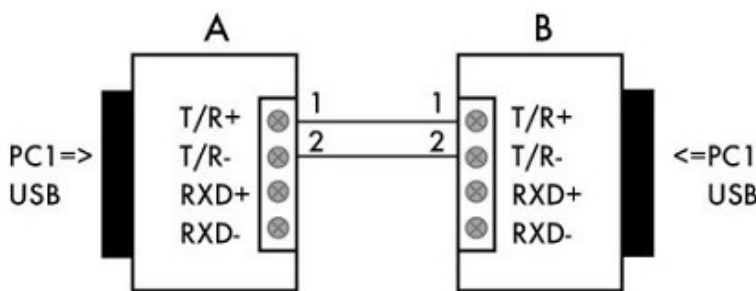
USB to RS422/RS485

RS485 devices

RS485 devices

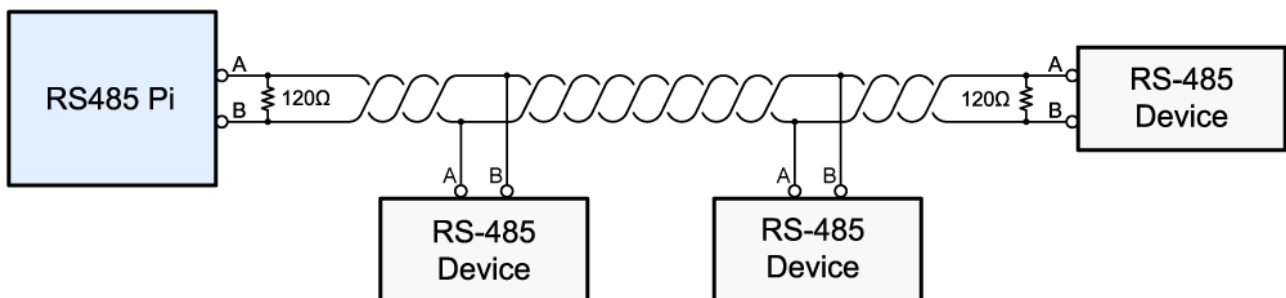
RS485 devices

3. Semiduplex communication better  
2 pcs RS433/485 converters

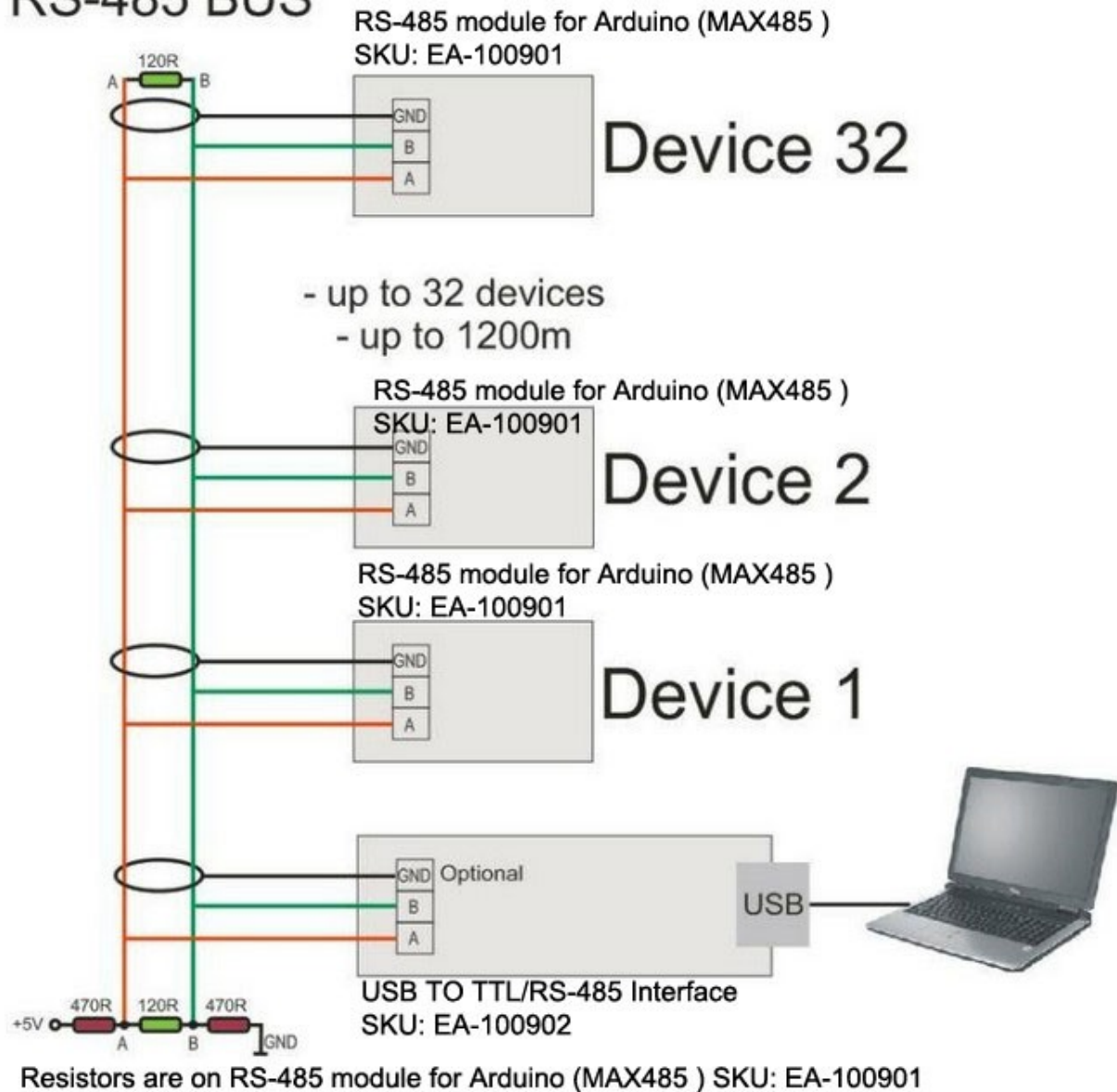


USB to RS422/RS485

USB to RS422/RS485



# RS-485 BUS



## 2-Wire RS-485 Connections

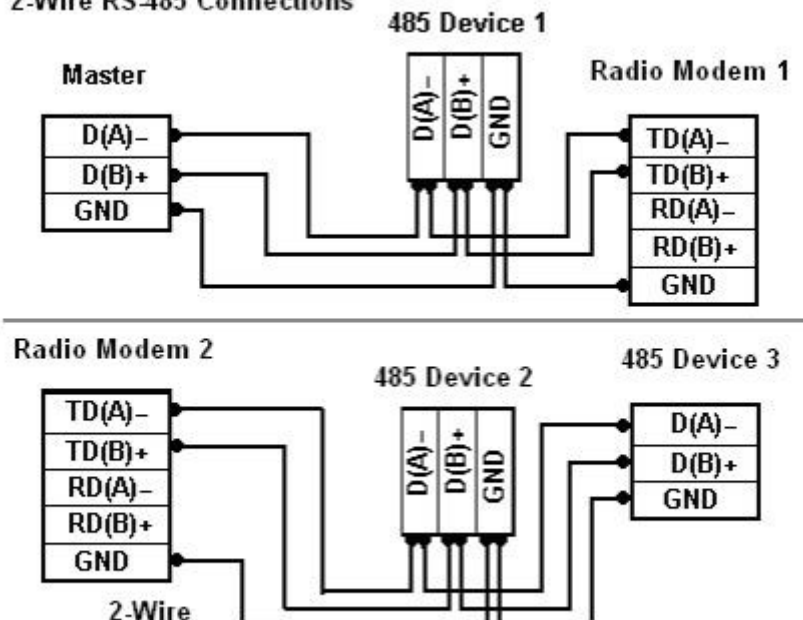


Figure 1. 2-Wire Connections to Radio Modems