



Fox Delta

Amateur Radio Projects & Kits

FD - SWM5 - 0815

SWM5-0815: Dual Channel SWR Meter add-on Board For GCPuX

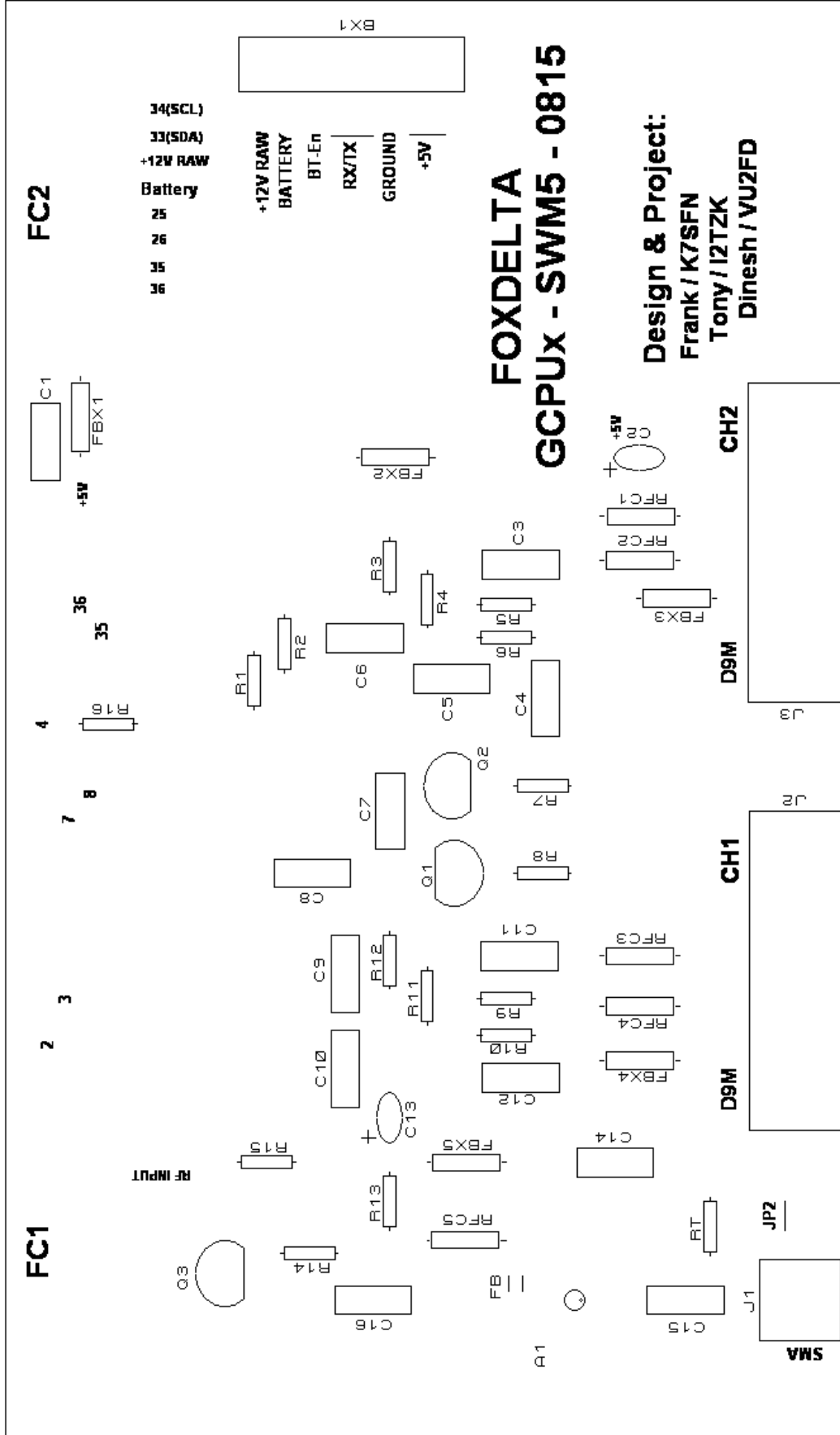
SWM5-0815 KIT PARTS LIST:

Quantity	Part No.	Part ID
1	PCB	SWM5-0815 DSPTH PCB
1	FC1, FC2	FRC16 PCB Straight Interconnect to CPU
1	BX1	SIL8 PCB Connector (Battery Board Expansion)
2	J2, J3	D9 Male PCB R/A
1	J1	SMA Connector PCB R/A
2	Q1, 2	2N7000
1	Q3	2N3563
5	FBX1 – FBX5	Ferrite Bead Inductors
4	RFC1 - RFC4	33 - 47uH RFCs
1	RFC5	82-100uH
1	Set	PCB Hardware
Capacitors		
2	C1, 13	1uF Tantalum
8	C3, 4, 5, 6, 9, 10, 11, 12,	0.001uF
6	C1, 7, 8, 14, 15, 16	0.1uF
Resistors		
2	R1, 2	10K
2	R7, 8	100K
5	R3, 4, 11, 12, 14	47K
1	R13	33
4	R5, 6, 9, 10	22K
1	R15	470
1	R16	1K
0	RT	RF Input Termination as required by user

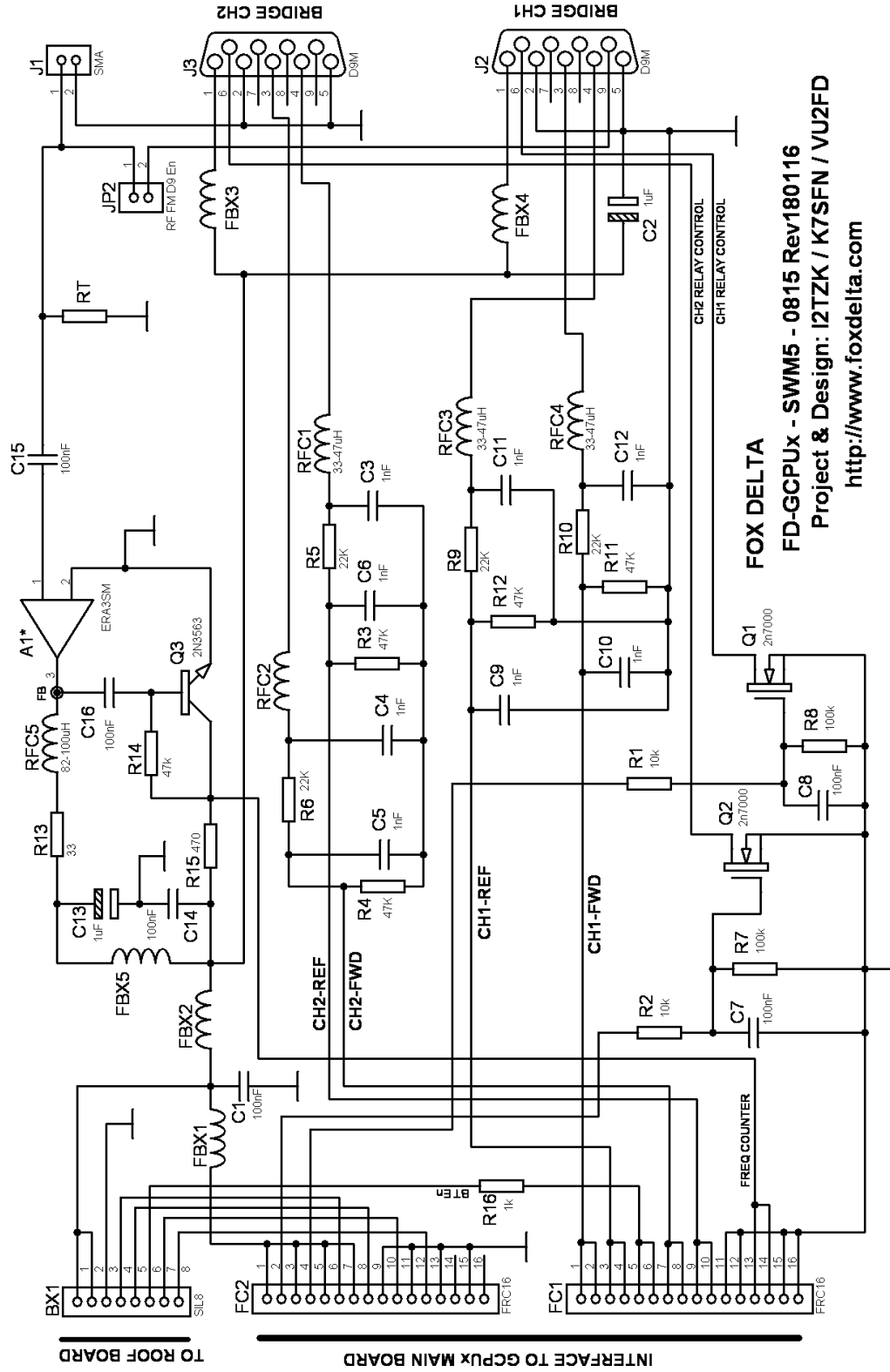
Note:

SWM5-0815 is an add-on board for GCPuX-0815, together they make an SWR measuring device.

SWM5-0815 PCB SILK:



SWM5-0815 Schematic:



FOX DELTA
FD-GCPuX - SWM5 - 0815 Rev180116
 Project & Design: I2TZK / K7SFN / VU2FD
<http://www.foxdelta.com>

73s
 Dinesh Gajjar,
 Updated: 18th Jan 2016

For more details please visit <http://www.foxdelta.com>