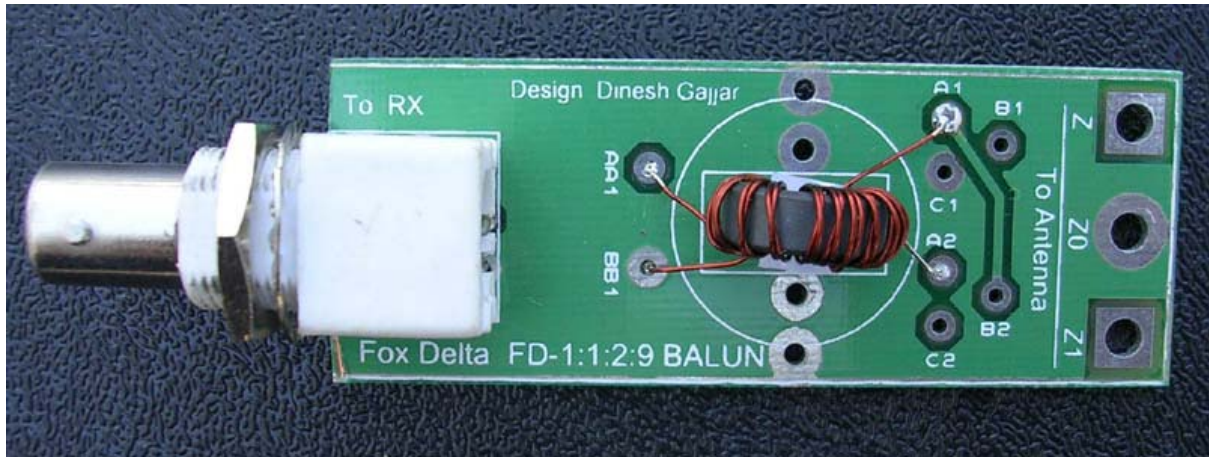


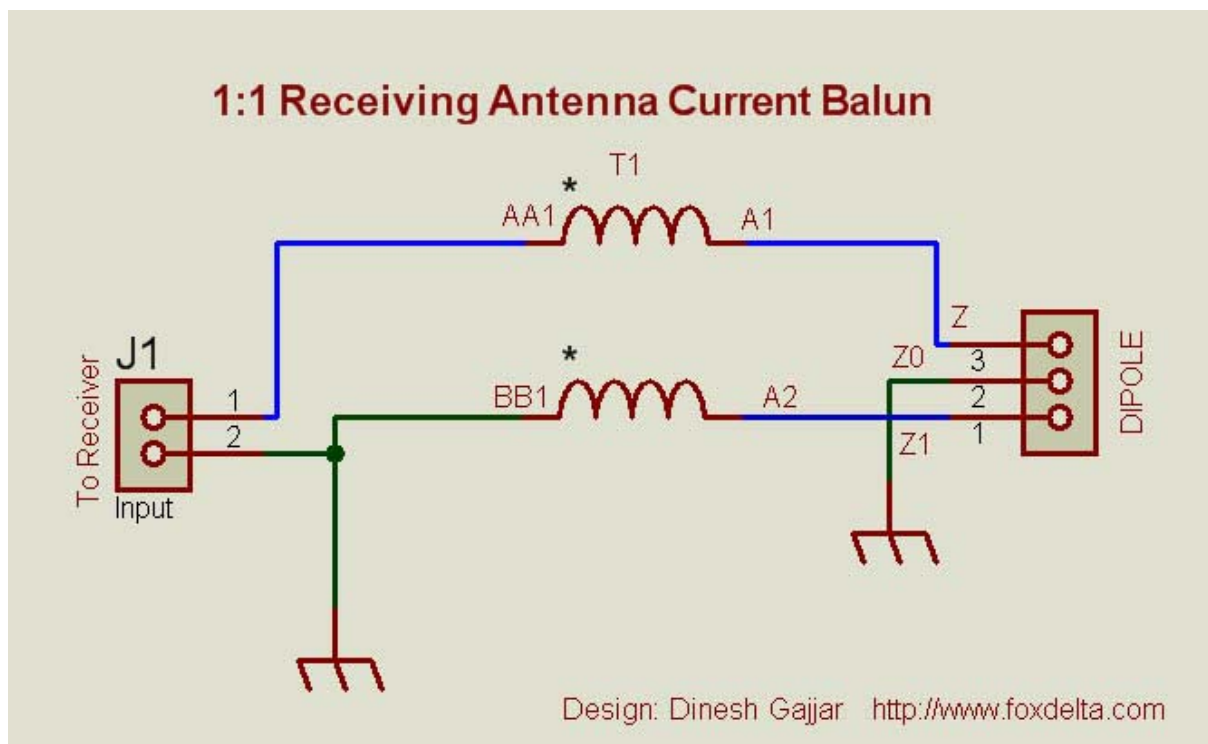


## Technical Info Doc: Receiving Antenna Current Balun for Galileo Rx

### Receiving Antenna Balun: 1:1



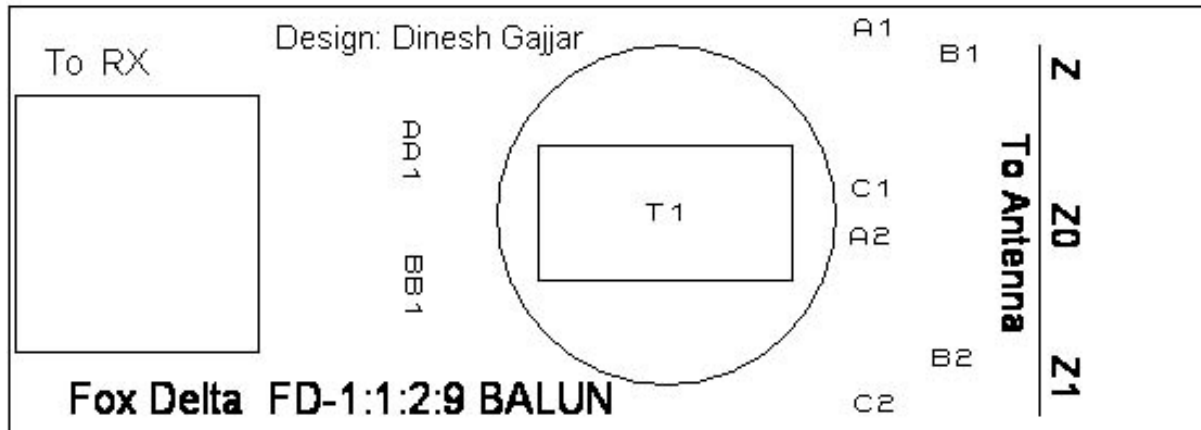
### Schematic:



**Kit Parts List:**

1	J1	BNC R/A PCB Connectors
1	PCB	DSPTH PCB
1	T1	FT - 50 - 61
1	Copper Wire	30cm #28

**Silk Snap:**



Connect center fed Dipole at Z and Z1

73s

Dinesh Gajjar / 300410

For more details on this project please visit <http://www.foxdelta.com>