



Fox Delta

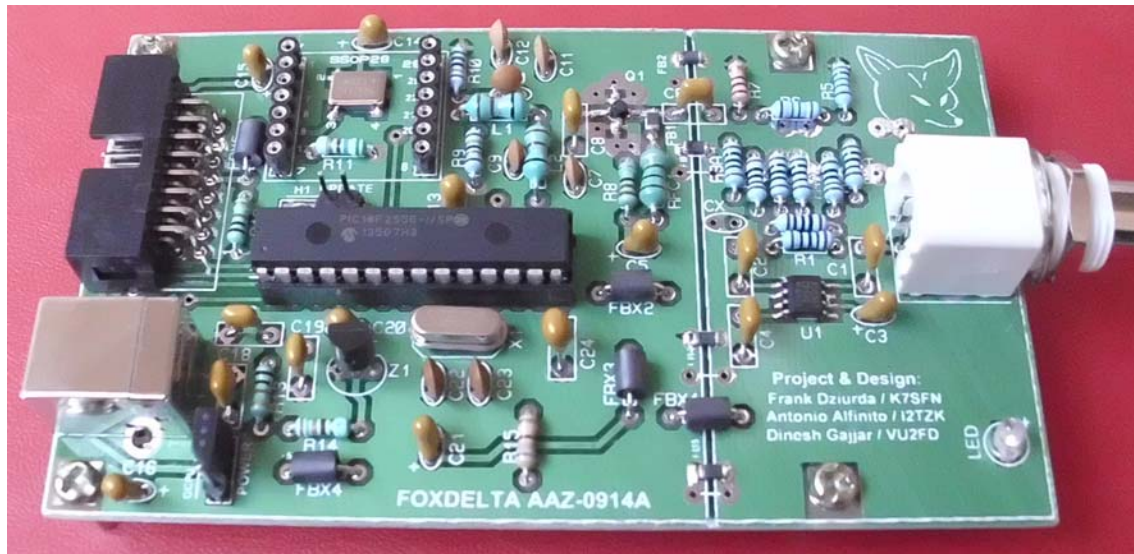
Amateur Radio Projects & Kits

FD- AAZ-0914A

Schematic & Parts list: 50MHZ HF PIC18F2550 USB Antenna Analyzer

AAZ- 0914A KIT:

USB 50MHZ Antenna Analyzer with Multi-Purpose Input / Output and Bluetooth Capability



AD9850 DDS Assembly:



Kits are supplied with AD9850 (or AD9851) Pre-soldered on a carrier board for easy assembly. This plug-in DDS module is tested for full HF range before including with kits.

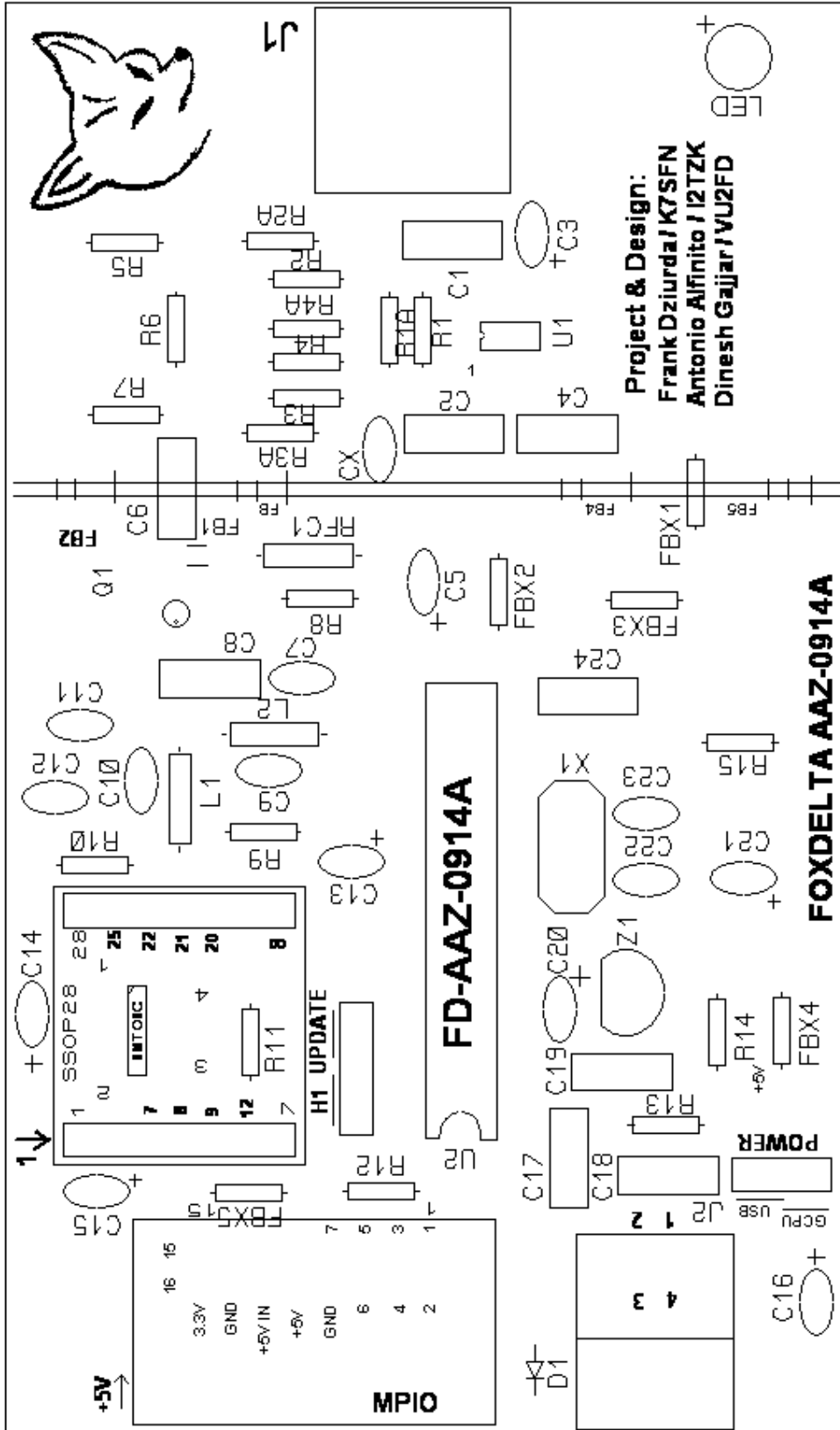
AAZ – 0914A KIT Parts List:

Quantity	Part ID	Part Details
1	U2	PIC18F2550 FW V6.01
1	AD9850 Adapter	AD9850 & SMT Caps
1	U1#	AD8307 SO8 Pre-Soldered on Board
1	OSC#	125MHZ SMT OSC 3.3V SMT
1	X1	20MHZ Crystal HC49
1	LED	3mm LED
1	Q1#	SGA3486
1	IC Socket	28PIN DIP
1	PCB	FD-AAZ-0914A DSPTH PCB
1	Z1	LM385-2.5V
1	U3#	AMS1117 – 3.3V
2	L1, 2	HF LPF Inductors 0.22uH
4	FBX1, 3, 4, 5	Ferrite Bead Inductors
2	RFC1, FBX2	100uH RFC
1	J2	USB Socket, R/A, PCB Type
5	FB1#, 2, 3, 4, 5*#	Ferrite Beads 1206 SMT
1	FRC16 R/A Socket	Multi-Purpose Input Output Extension
1	J1	BNC R/A PCB
2	“Update” & H1	2PIN Header
1	D1	1N4148 Diode (Polarity Protection)
All Resistors ¼ W 5%		
1	R5	300 Ohms
1	R6	18 Ohms
1	R7	270 Ohms
8	R1/A, R2/A, R3/A, R4/A	100 Ohms
1	R8	33 Ohms
1	R9	24 Ohms
1	R10	51 Ohms
2	R12, 13,	10K
1	R11	5.6K
1	R14	3.3K
1	R15	680 Ohms
Capacitors		
1	C24	0.47uF
2	C17, 19	.001uf Poly
6	C1, 2, 4, 6, 8, 18,	.1uf Poly
6	C3, 5, 15, 13, 16, 21	1uf Tantalum
2	C23, 22	18pf
2	C 20, 14	10uF Tantalum
1	C7	82pf Ceramic
2	C10, 9	15pf Ceramic
1	C12	47pf Ceramic
1	C11	100pf Ceramic

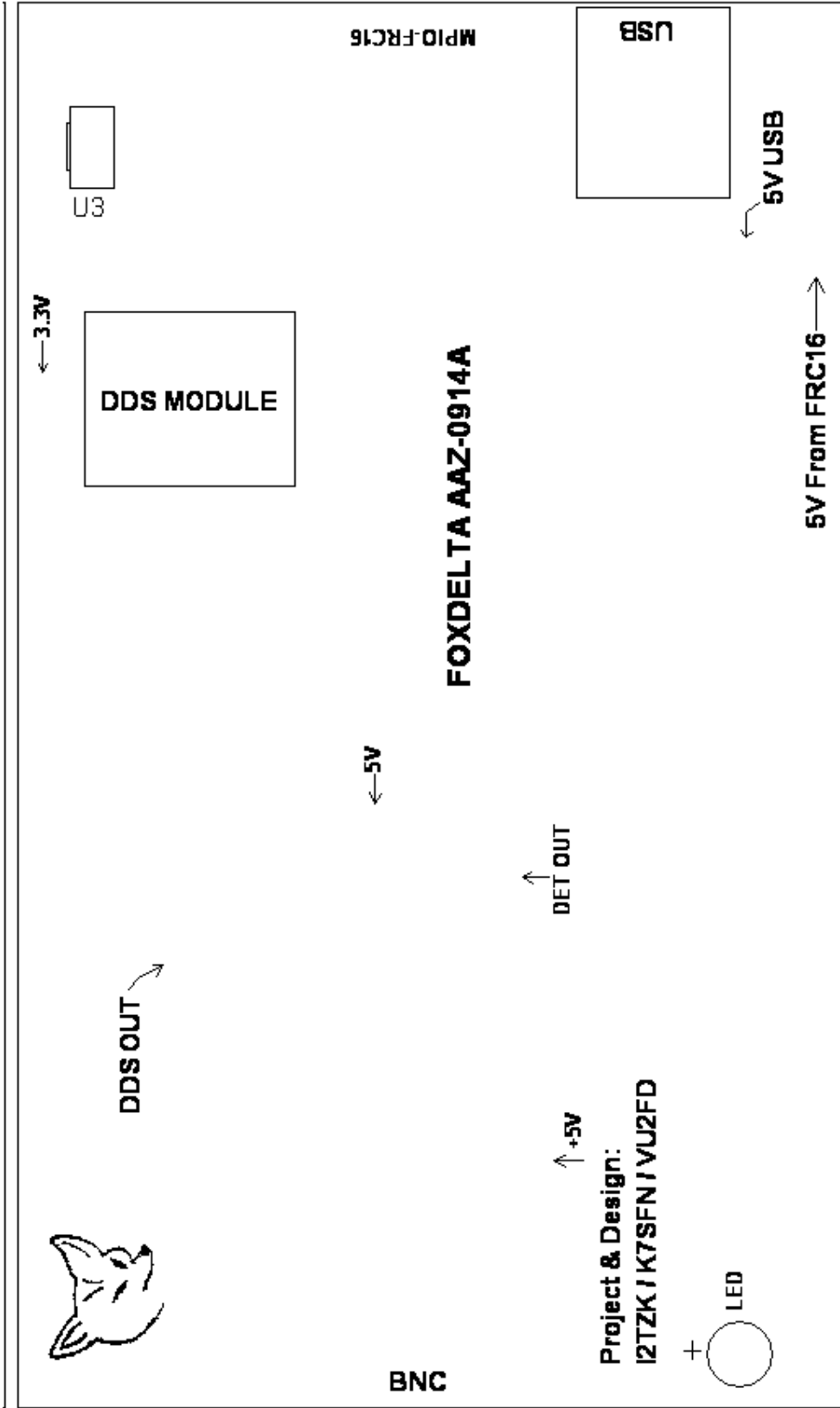
Note:

1. “Update” = Firmware Update Header
2. # = Parts Pre-soldered
3. * = FB1 is 1206 SMT Bead. FB2-FB5 may be STND beads or SMT

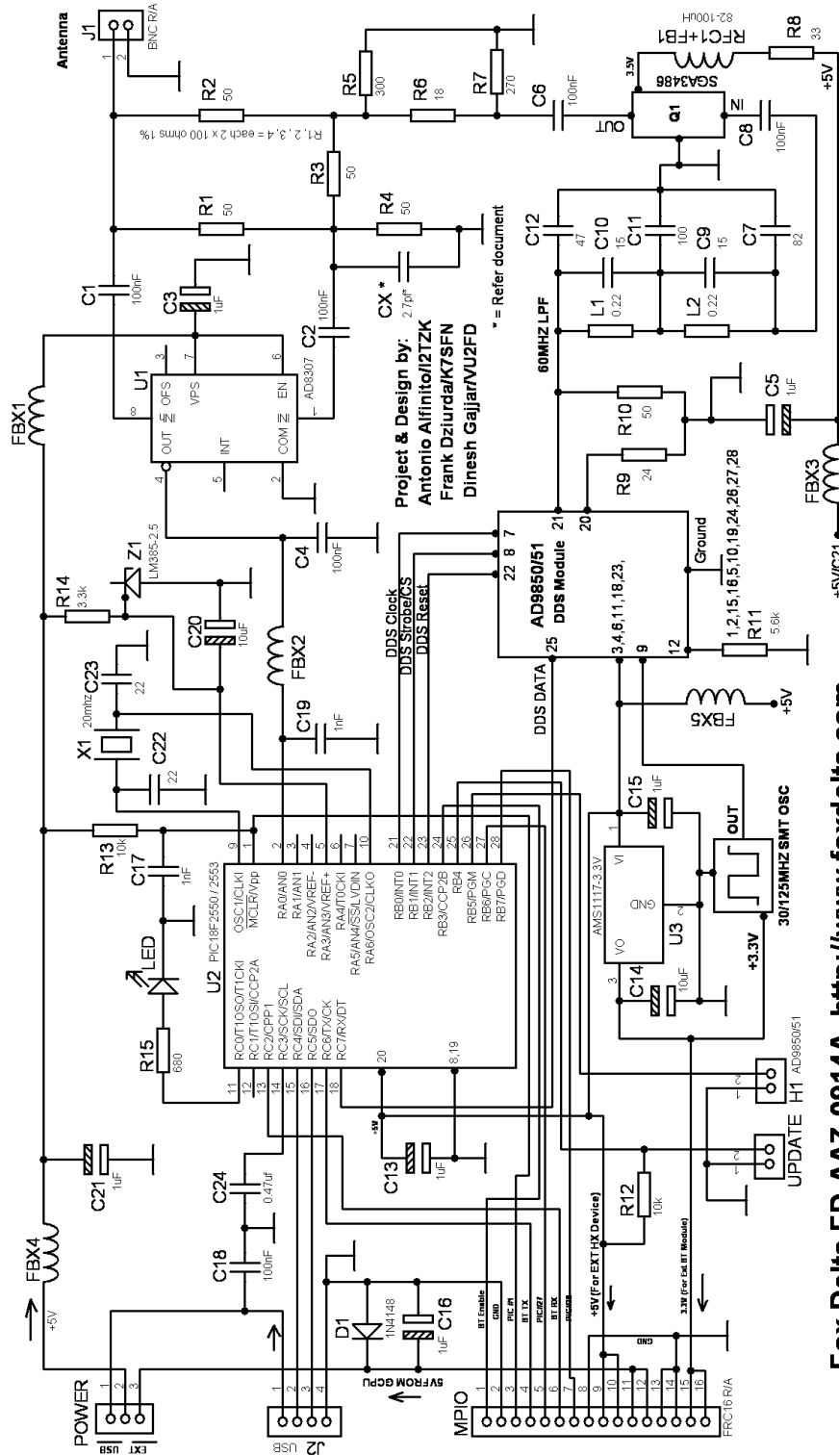
AAZ-0914A SILK:



COMPONENT SIDE SILK:



AAZ-0914A Schematic:



Fox Delta FD-AAZ-0914A <http://www.foxdelta.com>

73s
Dinesh Gajjar
 20th November 2014

For more details, please visit Project Page: <http://www.foxdelta.com>