



Fox Delta

Amateur Radio Projects & Kits

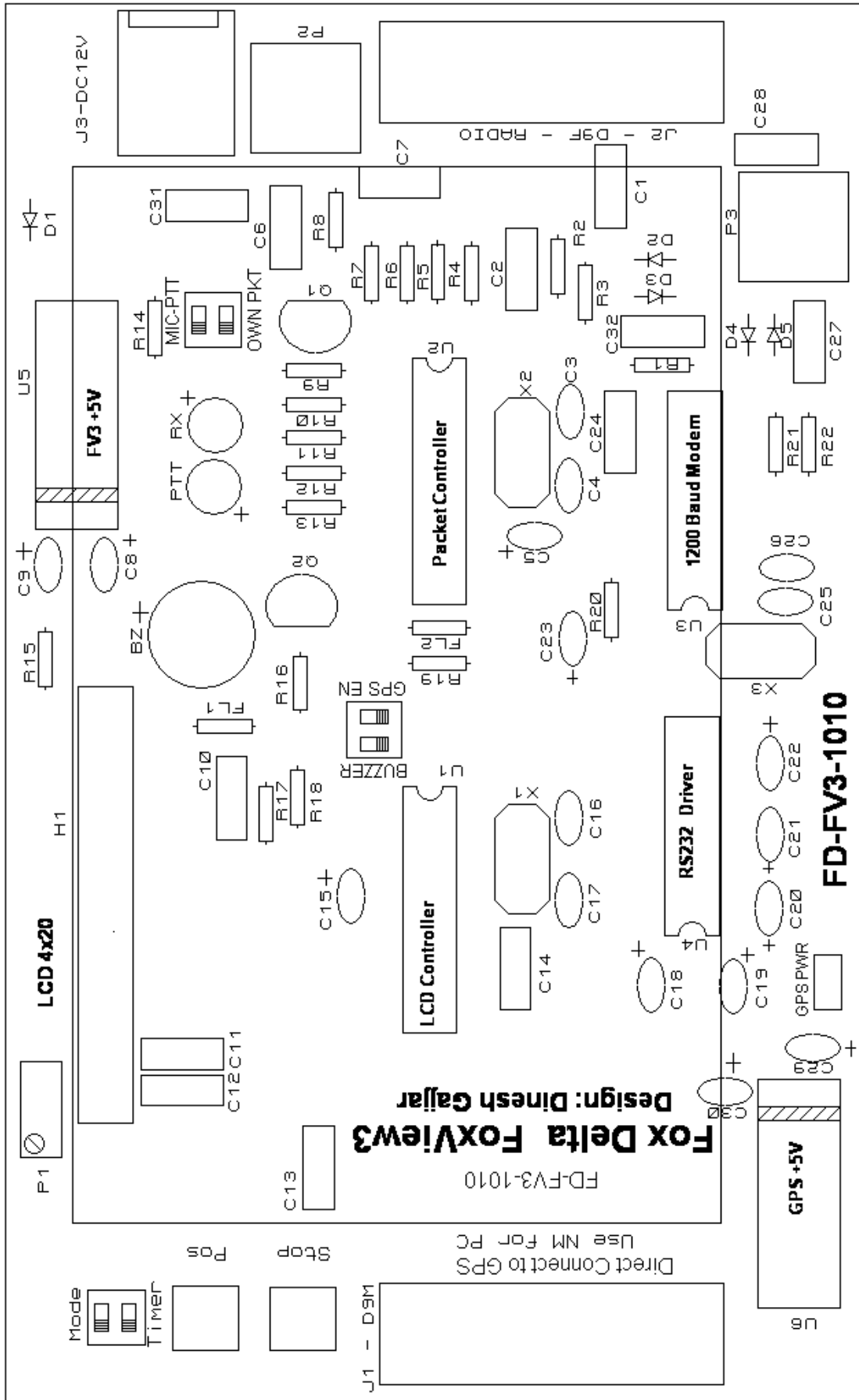
FD – FoxView3

FoxView3 REV1010 Schematic and Parts List:

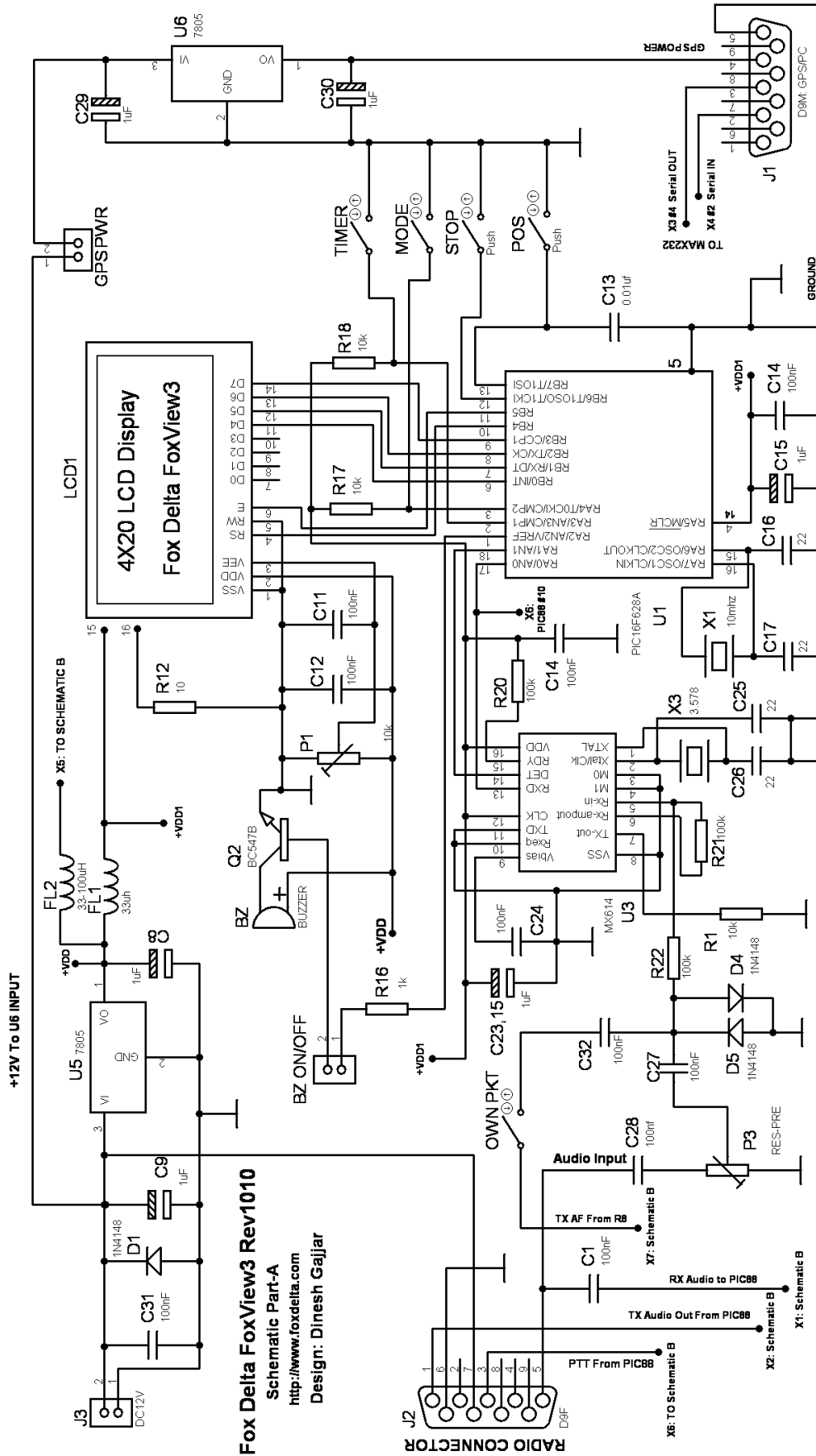
FoxView (Rev1010) Kit Parts List & PCB Component Layout

Quantity	Check	Part ID / Details
1		FoxView3-1010 Double Sided PTH PCB
1		MAX232 DIP16
5		1N4148 (D1, 2, 3, 4, 5)
2		RFC 33-47uH (FL1, 2)
1		PIC16F628A (U1) with firmware FoxView.hex
0	X	MX614 U3 DIP16
1		PIC16F88 (U2) with Firmware FoxDigi-614.hex at 4800 or 9600
2		18PIN IC Sockets
2		16DIP IC Sockets
2		7805 (U5, 6)
12		1uf/35V Tantalum (C5, 8, 9, 15, 18, 19, 20, 21, 22, 23, 29, 30)
11		0.1uf Ploy Capacitors (C1, 7, 10, 11, 12, 14, 24, 27, 28, 31, 32)
1		0.01uf Poly (C13)
2		0.001uf Poly (C2, 6)
6		22pf ceramic (C3, 4, 16, 17, 25, 26)
1		D9Feamle R/A PCB Connectors (J2)
1		D9M R/A PCB Connector (J1)
1		Crystal 20.000MHZ (X2)
1		Crystal 10.000MHZ (X1)
1		Crystal 3.578MHZ (X3)
2		Transistor BC547B (Q1, 2)
1		10k Bourns 10T/V Presets (P1) LCD Contrast
2		10K Bourns 1 Turn Preset (P2, 3)
2		LEDs 3mm (Red, Green)
3		2 position DIP Switches (Mode/timer, GPS/BZ, MIC/PKT)
2		4mm Push Buttons (Pos/Stop)
1		Buzzer
1		Set of header: 16pin Male/Female for LCD (Incl. GPS En Hdr)
1		Set: 2xNut, 2xBolt & 2xPlastic Spacers for LCD
1		LCD 4x20 with Back-Light
1		DC Connector (J3)
1	✓	Free Powder Coated Metal Case with hardware
		Resistors (0.25W 1% or 5%)
1		3.9K (R6)
1		8.2K (R7)
2		2K (R5, 14)
1		470 ohms (R9)
5		1K (R2, 4, 11, 13, 16)
6		10K (R1, 3, 12, 17, 18, 19)
1		10 ohms (R15)
5		100K (R8, 10, 20, 21, 22)

Silk snap of FoxView3: REV 1010



Schematic Part A:



Schematic Part 2:

