



FoxView2: Schematic & Parts List: An APRS LCD Terminal

FoxView2 Schematic & Parts List:

Quantity	Check	Part ID / Details
1		FoxView2 Double Sided PTH PCB
1		Radio Connector D9F (J1)
1		GPS Connector D9M (J4)
1		Config. Connector FRC10 R/A (J5)
1		DC Connector (J3)
1		1Wire Device Connector Socket RJ12 (J2)
2		1N4148 (D3, 4)
2		1N4007 (D1,2)
1		PIC16F628A with firmware FoxView.hex DIP18 U4
1		MX614P DIP16 U3
1		MC74HC4053 (U1) 16DIP
1		MCP6023P DIP8 U2
1		18PIN IC Socket U4
2		16 PIN IC Sockets U3 & U1
1		8 PIN IC Socket U2
2		7805 U7 & U8
1		Crystal 10.000MHZ (X2)
1		Crystal 3.578MHZ (X1)
1		Transistor BC547B (Q1)
1		FET 2N7000 (Q2)
1		10k Presets 10T (P1)
4		RFC 10uh FL1, 8, 9, 12
8		RFC 82uh FL2, 3, 4, 5, 6, 7, 10, 11.
1		2 Position DIP Switch SW2
1Set		Config Remote (PCB+2way DIP+2xPush buttons & cable)
1		Buzzer
1		Set of header: 16pin Male/Female for LCD
1		Set: 2xNut, 2xBolt & 2xPlastic Spacers for LCD
1		LCD 4x20 with Back-Light

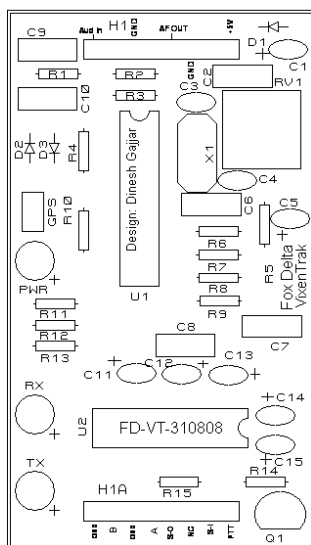
Quantity	Check	Part ID / Details
		Resistors
1		4.7K+4.7K = 9.4K R5/5A
1		12K+6.8K = 18.8K R7/7A
1		10K+15K = 25K R6/6A
2		1K (R1, 11)
5		10K (R3, 10, 13, 14, 16)
2		100K (R9, 8)
1		10 Ohms (R12)
1		100 Ohms (R4)
	Note:	R2, R15 not used
		Capacitors
18		0.1uf Poly (all those not listed below)
2		0.001uf Poly (C2, 7)
3		0.01uf Poly (C15, 16, 38)
4		22pf Ceramic (C27, 28, 31, 32)
11		1uf Tantalum
1		100pf Ceramic (C29)

Parts list above is for FoxView2 without Tracker modules.
 Parts list of Tracker Modules are available on related web page.

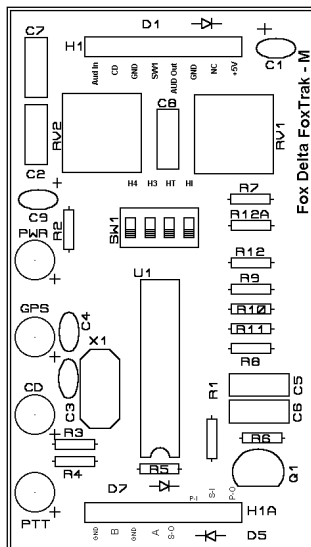
Following Tracker Modules are available for FoxView2:

1. FoxTrak-M
2. VixenTrak
3. FD-OT+

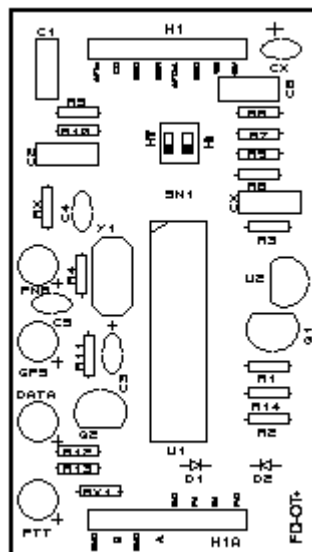
VixenTrak



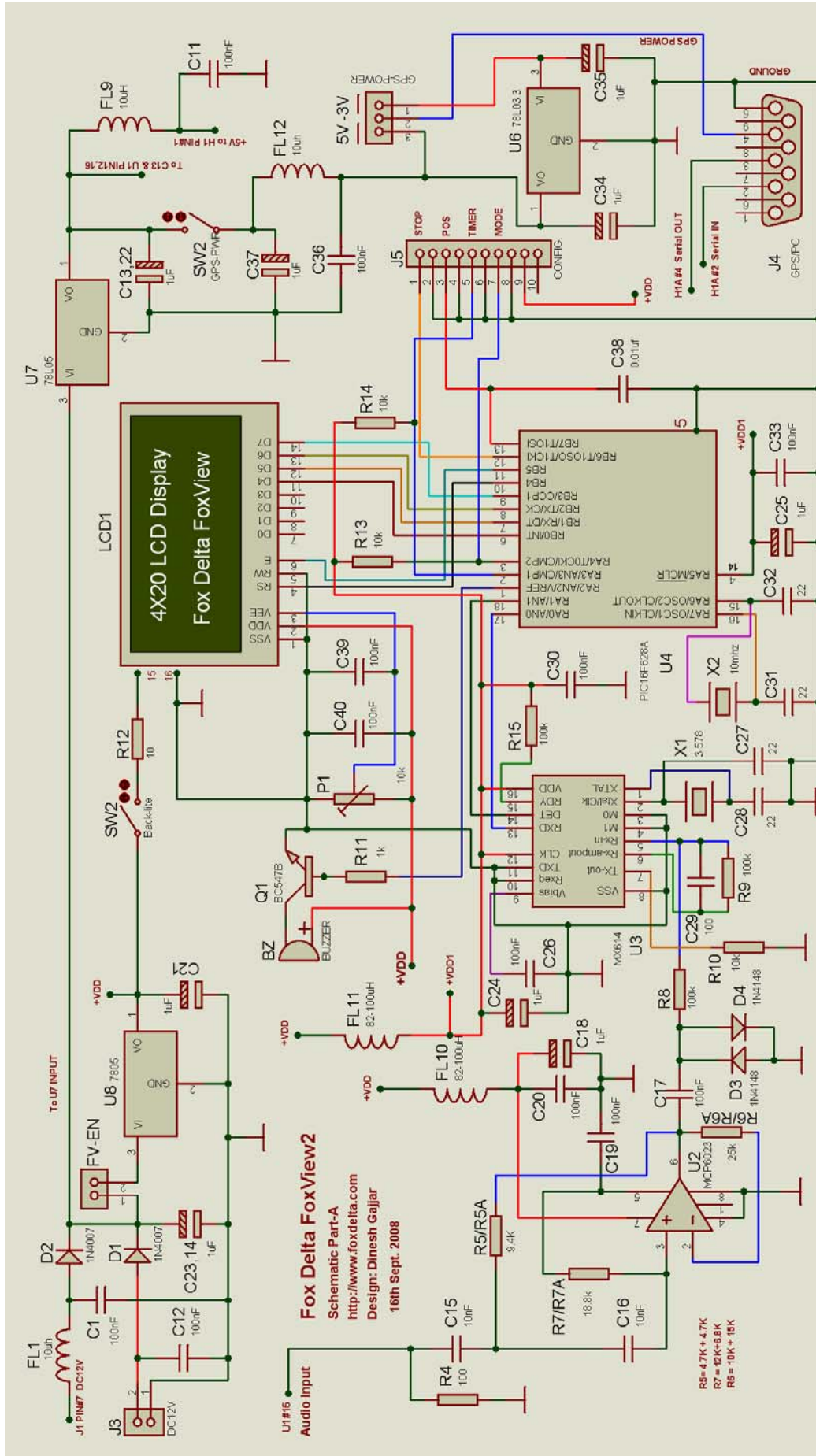
FoxTrak



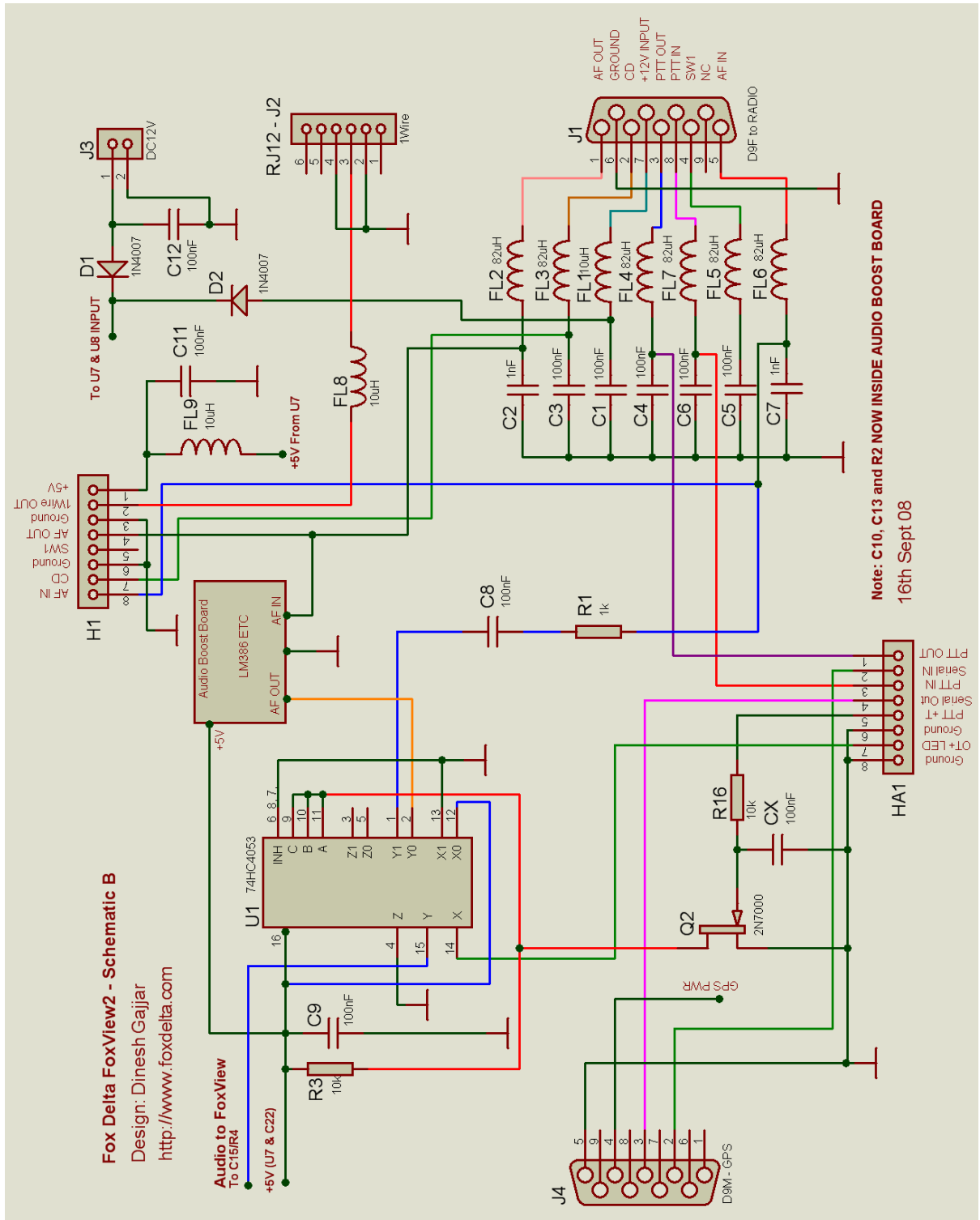
FD-OT+



FoxView2 Schematic: A



FoxView2 Schematic: B



Dinesh Gajjar
 16th Sept. 2008

Please visit project page at: <http://www.foxdelta.com>