



Fox Delta

Amateur Radio Projects & Kits

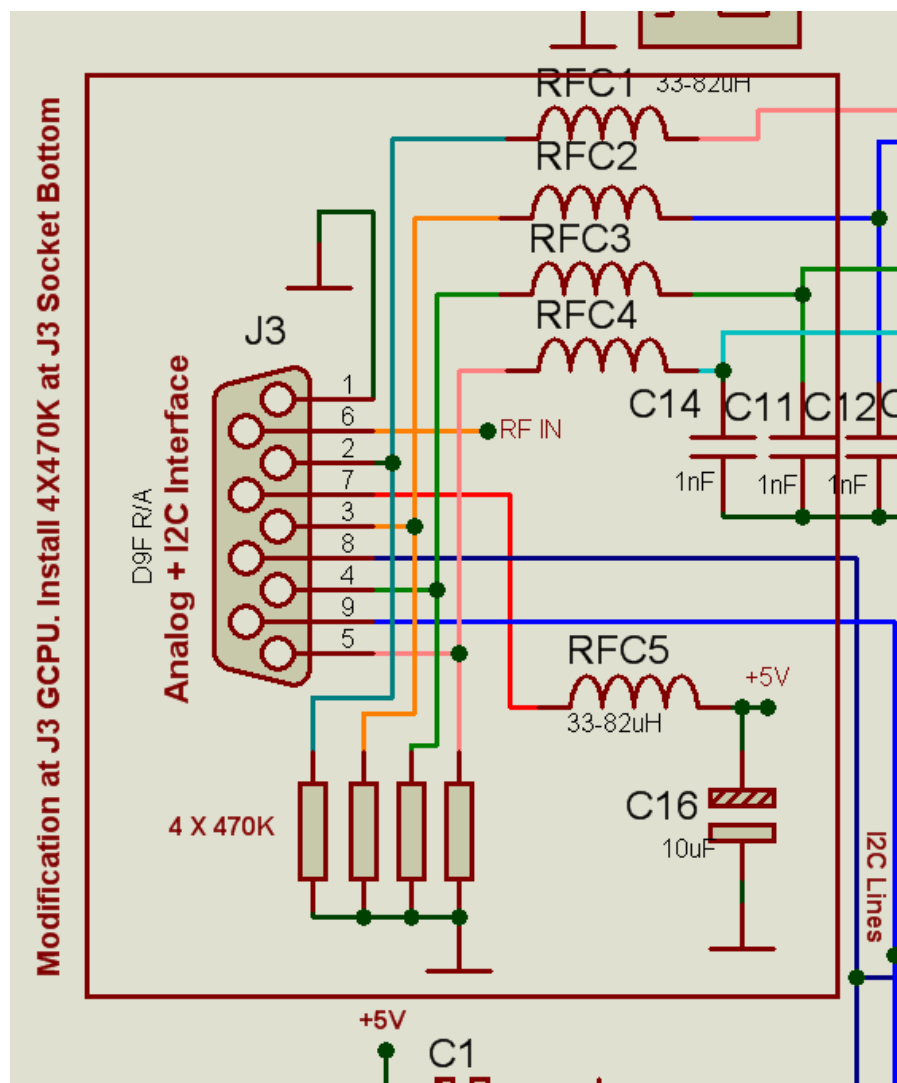
FD- GCPU - 0613

GCPU D9F bottom Mod: Add 4 X 470K resistors to prevent noise pick-up

Mod is required to avoid stray pick-up and line noise.

Install 4 X 470K resistors at the bottom of J3 D9Female Socket between PIN 2, 3, 4, 5 and Ground

Schematic:



73s/Dinesh Gajjar

